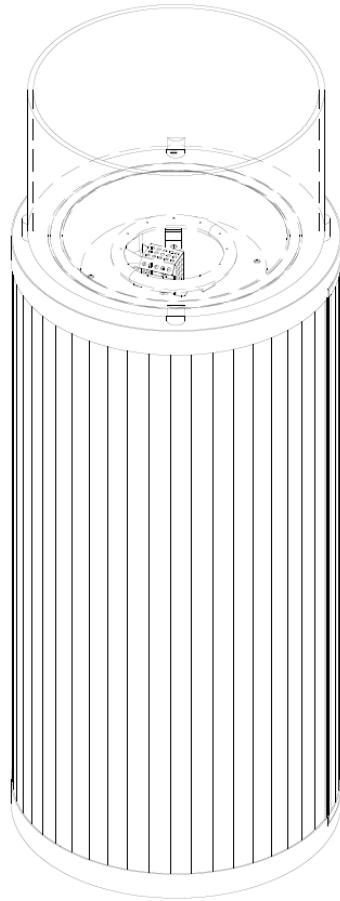


# cosi®



## COSIPILLAR CURVED

EN User manual    NL Gebruiksaanwijzing    DE Benutzerhandbuch    FR Mode d'emploi  
ES Manual de instrucciones    IT Manuale d'uso    DA Brugsanvisning    NO Brukerhåndboken  
PL Instrukcja obsługi    TR Kullanım kılavuzu    اللغة العربية تعليمات الاستخدام

CE UK  
CA  
Made in China



PAPER/CARTA

Separate collection / Check your local municipal guidelines  
Raccolta differenziata dei rifiuti / Controlla le linee guida  
del tuo comune

## 1. Introduction

Congratulations on the purchase of your Cosipillar Curved. We hope you enjoy your fire pit and greatly appreciate it if you share photos of your product at your location and tag us on Facebook (@cosifires) and Instagram (@cosi\_fires)!



For frequently asked questions and maintenance tips, visit our website by scanning the QR code or go to [www.cosi-fires.com](http://www.cosi-fires.com).

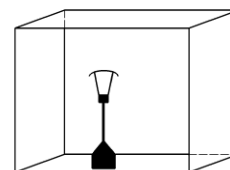
## 2. Safety instructions



**WARNING:** Always ensure that the (safety) instructions in this user manual are followed exactly to avoid the risk of fire, explosions, other damage to persons and objects and/or loss of life. Read these assembly instructions and safety instructions carefully before installing and using the device.

1. The fire pit should always be assembled correctly according to the assembly instructions provided.
2. Never modify anything in the gas technical system of this device. Any modification to the system may be dangerous and this will void all device warranty.
3. Improper installation, adjustments or modifications to the device may result in injury or property damage.
4. In case of improper use or failure to follow the safety instructions, any liability is rejected and the warranty will not apply.
5. This device must be used in accordance with the applicable regulations. The gas cylinder must also be stored in accordance with these regulations.
6. If at any point you smell gas: Immediately close the gas supply of the fire pit, extinguish all open fire near the pit and do not turn on the fire pit again. Do you continue to smell gas? Move away from the fire pit and call a gas technical specialist.
7. The fire pit should be placed level on a hard, stable surface.
8. The fire pit is only suitable for use with propane gas cylinders. Never use any fuel other than that described in this manual. See point 6. 'Technical specifications' for more information.
9. Always place the gas cylinder in an upright position. The gas cylinder must never be placed lying down or tilted in the device.
10. Keep an area of at least 2 metres around the device free from flammable liquids, materials, fuels and vapours.
11. Before each use, check if the connection of the gas hose to the burner, the gas pressure regulator on the gas hose and the gas pressure regulator on the gas cylinder are properly fitted and not loose. While checking the connections, always ensure that the gas valve on the gas cylinder is shut. Should the connections be loose, always tighten them before using the device.
12. Replace the gas cylinder in the outside air, away from any ignition sources (candles, cigarettes, other flame-producing devices).
13. Every time the gas connection is reconnected and before each use, the connections mentioned in point 11 and the gas hose itself should be checked for leaks. The gas hose and gas pressure regulator must be replaced within the prescribed intervals (see point 5.5.).
14. The gas hose should never come into contact with the hot surface of the burner. Make sure the hose is always bent directly down towards the gas cylinder and does not touch the surface of the burner.
15. The gas hose must comply with the nationally applicable laws and regulations (EN16436). The hose is connected to the supplied gas pressure regulator. Never connect the gas cylinder directly to the device without a gas pressure regulator.
16. The gas pressure regulator is set to 28-30 mbar, 37 mbar or 50 mbar and the outlet pressure of the gas pressure regulator is 28-30 mbar, 37 mbar or 50 mbar. The gas pressure regulator must be set according to the specific gas category per country, see the table in point 6. 'Technical specifications'. The regulator should comply with the EN 16129 standard.
17. Never change the air valve settings of the burner. If the air vents of the fire ring are blocked, contact a gas technical specialist immediately.
18. Never obstruct a free flow of air and oxygen to the device.
19. The injector of this device should not be removed and the injector should only be installed and/or replaced by a specialist.

20. It is not permitted to switch the device from one gas pressure to another gas pressure. Always use the prescribed gas pressure regulator (see point 6. 'Technical specifications').
21. This device has an open flame, always ensure that children and pets are supervised by a mature and responsible person during operation. The fire pit must not be operated by children.
22. **WARNING:** Keep children and pets well away from the device. The Cosi burner has parts that get very hot when in use! After use, wait until the appliance has cooled down sufficiently before allowing children and pets near the device. It is recommended to wait at least 1.5 hours.
23. Never move the device if it is in use. After use, wait at least 1.5 hours before moving the device. Always close the gas valve of the gas bottle before moving the device.
24. Never leave the open flame unattended during use.
25. Do not touch the lava stones until they have cooled down completely.
26. After use, always turn off the gas supply on the burner and always close the gas valve on the gas cylinder.
27. Wait at least two hours after turning off the fire pit before placing any protective cover.
28. Do not use the fire pit during heavy winds or a storm.
29. The fire pit should always be used outdoors or in very well-ventilated spaces. These could include conservatories or verandas, for example. For a well-ventilated space, at least 25% of its surface area should be in direct connection with the outside air. The surface area is the sum of the walls that enclose the space. See the image on the right for clarification.
30. Never use the fire pit in a building, home, garage or other enclosed space.
31. The operating and assembly instructions should be kept with the fire pit. In case of sale to third parties, these documents must be supplied.
32. The use of alcohol, drugs and certain medications may affect the ability to correctly assemble or safely operate the fire pit.
33. **Do not** place or burn objects or fuels in the fire of the fire pit.
34. Take extra care when wearing flammable clothing while igniting and sitting near the fire pit.
35. Do not lean over the burner when igniting the fire pit.
36. Do not sit and/or stand on the fire pit, especially while it is in use.
37. Do not disconnect the gas cylinder or connections while the fire pit is in use.
38. Do not place the fire pit under hanging objects.
39. Make sure you have a fire blanket and powder extinguisher around before using the device. In case of fire, immediately place the fire blanket on the fire and ensure that the flames are not exposed to oxygen. The best way to extinguish the fire is through a powder extinguisher. **Never** use water or foam extinguishers for fuel fires.
40. Gas cylinders should be stored outdoors or in well-ventilated spaces in accordance with the applicable regulations. Keep gas cylinders out of the reach of children.
41. The fire pit is best stored in a garage or well-ventilated space. Store the fire pit only when disconnected from the gas cylinder.
42. The fire pit is not approved as a cooking device and therefore should not be used as such.
43. For help or additional information, contact a licensed technician, the Cosi helpdesk or the seller.



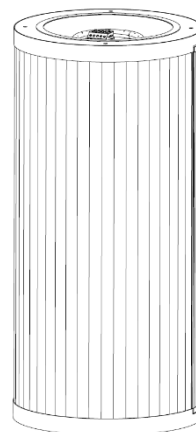
### 3. Package contents

The Cosipillar Curved comes with the following parts:

Package contents:

- A. Cosipillar Curved
- B. Glass
- C. 4x wheel
- D. 4x connector piece
- E. 1x box of lava stones
- F. AAA battery

A



B



C



D



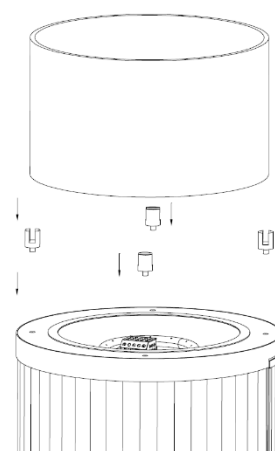
The only thing you still need to purchase is a gas cylinder. This can be obtained from your local gas supplier. More information on the maximum dimensions of the gas cylinder can be found under point 6.1.

### 4. Assembly instructions

#### 4.1. Placing the fire pit

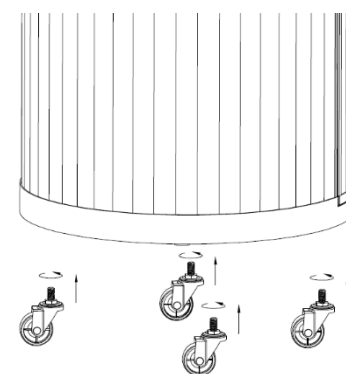
Follow the steps below to correctly assemble the fire pit. **Note:** Make sure the burner is not yet connected to a gas cylinder while performing the steps below!

1. Carefully remove all parts from the packaging and check if everything is present according to the overview above.
2. Choose the location where you want to place the fire pit. Make sure the fire pit is on a paved (preferably stone) surface. The surface should be completely flat and clean. Furthermore, the fire pit should be placed at least two metres away from flammable materials and liquids.
3. The fire pit comes with adjustable legs underneath. If the fire pit is on a surface that is not quite level, you can use the adjustable legs to level the fire pit.
4. Place the four connector pieces (**D**) in the four holes on the top of the pillar. Next, place the glass (**B**) in the recesses of the four connector pieces.



Would you like to make the Cosipillar easier to move? Then you can replace the adjustable feet with the separately supplied wheels (**C**). This can be done as follows:

- Make sure that the Cosipillar is not connected to a gas bottle; that a gas bottle is not inside the model; and that the glass and lava stones have been removed.
- Ask a second person to carefully tilt the Cosipillar slightly, so that the two adjustable feet can be easily accessed on one side. **Please note:** the top of the Cosipillar is loose, so do not tilt from the top. It is best to hold the body of the Cosipillar.
- While the Cosipillar is being tilted, unscrew the feet from the bottom of the model and replace them with the wheels (**C**). Then tilt the Cosipillar towards the other side, in order to unscrew the other two feet and screw the remaining two wheels into the model. We recommend placing the wheels that feature a brake diagonally from one another, and not immediately next to each other.

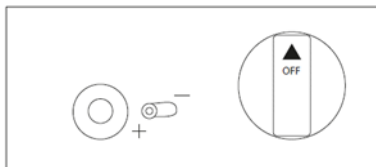


#### 4.2. Preparing for use

##### 4.2.1. Inserting or replacing the battery

The fire pit features a piezo ignition and is powered by one AAA battery. You can insert or replace the battery as follows:

- Make sure the fire pit and lava stones have cooled down completely.
- Make sure the fire pit is not or no longer connected to a gas cylinder.
- Next to the control knob is a smaller black button on the control panel. This is the ignition and this contains the battery.
- You can now unscrew the black ignition counterclockwise and insert the battery into the ignition, paying close attention to the +/- side. Then close the ignition again.



- After frequent use, the battery may run down. Have you replaced the battery? Then return the empty battery to a collection point.

#### 4.2.2. Placing the lava stones

Once you have positioned the fire pit properly, you can place the lava stones in the burner. Lava stones are included with every fire pit. Take the lava stones without grit by hand, otherwise the burner holes may get clogged. Carefully place the lava stones in and on the burner. Keep the ignition unit free of lava stones.



If you want to reorder the glass or lava rocks, this is possible at your purchase address.

#### 4.2.3. Inserting or replacing the gas cylinder

Have you purchased a gas cylinder with the correct dimensions (see point 6. 'Technical specifications')? Then you can connect the burner's gas pressure regulator to the gas cylinder. This is done as follows: fit the gas pressure regulator to the gas cylinder. Tighten the nut of the gas pressure regulator by hand, **not** with other tools.

You can then place the gas cylinder in the gas cylinder unit of the fire pit. However, this is not mandatory. You can also choose to place the gas cylinder outside of the device.

##### - Inserting the gas cylinder into the device

1. One side of the Cosipillar features a gas cylinder unit. Open the door by pushing the top left corner. Always place the gas cylinder upright on the steel frame. The gas cylinder **must never** be placed lying down or tilted in the device. You can use the black strap to fasten the canister against the side wall. This will reduce the likelihood of the gas cylinder tipping over.
2. Make sure the gas cylinder is connected to the included gas pressure regulator and open the gas cylinder valve when you want to use the fire pit.
3. Make sure the gas hose is always bent down towards the gas cylinder. Make sure the gas hose is never pressed against hot surfaces of the device.
4. Are you not using the fire pit? Then always turn off the gas supply on the burner and gas valve on the gas cylinder.

##### - Placing the gas cylinder outside the device

Do you not want to put the gas cylinder inside the fire pit because you are using a gas cylinder with a larger capacity than specified, for example? Then you can also place the gas cylinder outside of the fire pit. You do this in the following way:

1. The gas hose can be guided outside of the Cosipillar by guiding it underneath the base of the Cosipillar or by guiding it through the door (this means the door will not close).
2. The included gas hose is 1.5 m long. So, place the gas cylinder at a maximum distance of 1 metre from the fire pit. Do not place the gas hose openly across the terrace. After all, people or pets can trip over the gas hose. Therefore, always place the gas cylinder in a place where people do not walk and where children and pets cannot reach.
3. Make sure the gas cylinder is connected to the included gas pressure regulator and open the gas cylinder valve when you want to use the fire pit.
4. Are you not using the fire pit? Then always turn off the gas supply on the burner and gas valve on the gas cylinder.

Is the gas cylinder empty and do you need to replace it? Make sure the gas valve is closed at all times and twist the gas pressure regulator off the gas cylinder by hand. Also make sure the fire pit and the lava stones have cooled down completely! Remove the old cylinder and, if necessary, connect the new gas cylinder directly to the gas pressure regulator, using the description above. You can exchange the empty cylinder or have it filled at your local gas supplier. After fitting a new cylinder, **always** check all gas connections for leaks (see point 5.5.).

## 5. Operating instructions

### 5.1. Instructions for ignition

- Check if the fire pit is stable and firm.
- Make sure the fire pit is connected to a filled gas cylinder and that a full battery is placed in the ignition. Press the small black button (ignition button) fully until you hear a soft ticking, this is the piezo ignition. If you hear nothing when pushing the ignition button, then you probably need to replace the battery. Keep the ignition button pressed while opening the gas supply by turning the large knob (gas supply) to 'HIGH'. The burner should now ignite within 15 seconds. Once the burner fully produces flames, hold down the control knob for another 15 seconds. The flames now stay lit. Do the flames extinguish? Then try this again and hold down the gas supply button even longer.
- If the burner still does not keep burning, contact the seller.

### 5.2. First use



**Note!** Are you going to use the fire pit for the first time? Then make sure the device is switched on at the highest setting for 15 minutes. This way, the lava stones are heated well and this ensures that any bumps or air bubbles will disappear from the lava stones. During the first use, and after the lava stones have been damp (due to rain, for example), keep at least **two metres away** from the burner and also ensure that **no** flammable materials are placed around or on the pit within this **two-metre radius**. As the air bubbles are burnt out of the lava stones, the stones may jump up the first time and after being wet and possibly come out of the burner.

Want to clean up or move the lava stones after use? Then **always** make sure they have cooled down completely!

The lava stones may eventually blacken. This is due to soot formation, which always occurs with devices that produce yellow flames. This soot can be removed by blowing/vacuuming the lava stones with an ash vacuum cleaner. The soot can also be brushed off with a dry brush.

### 5.3. Switching off the fire pit

- Want to switch off the fire pit? Turn the control knob all the way to 'OFF' so that the flames go out. Once the flames are completely extinguished, close the gas valve on the gas cylinder.
- Let the fire pit and lava stones cool down completely before placing a cover plate over the burner.

### 5.4. Moving the device

The Cosipillar is supplied with four wheels. These wheels can be used to easily move the Cosipillar to another location, thus allowing you to enjoy the pillar at various locations in your garden or on your patio. Step 4.1 shows how the wheels can be fitted.

**Please note:** if you want to move the Cosipillar, make sure that the Cosipillar has been disconnected and has fully cooled down. Release the brake on the wheels, and push or pull the body of the Cosipillar to move it. **Please note:** If you want to move the pillar, do not lift by or push against the glass; this sits loosely on top of the appliance. Be careful; the Cosipillar could fall over if too much force is applied. Is the Cosipillar now in the desired position? Then activate the brake on the wheels before using the Cosipillar.

### 5.5. Replacing the gas hose and gas pressure regulator

The service life of a propane gas hose is 5 to 10 years. It is recommended to replace the gas hose and gas pressure regulator once every 5 years. Check the device for gas leaks after replacing the gas pressure regulator and gas hose and before each use. This is done as follows:

- Open the gas cylinder, but **do not** turn on the device (control knob remains on OFF)!
- Make a mixture of 50% detergent and 50% water and apply it to all connections and to the gas hose. If there is a gas leak in the connections or hose, air bubbles will form.
- If air bubbles become visible, meaning there is a gas leak, immediately close the gas valve of the gas cylinder. Replace the hose or gas pressure regulator with a new one and perform the check again. Ignite the device only when no more bubbles are detected.
- Should the problem persist, contact a gas technical specialist.

Are you replacing the gas hose and/or gas pressure regulator? Then install them in exactly the same way as they were fitted. The gas hose should be a maximum of 2.5 metres long. In point 6. 'Technical specifications',

you will find the technical specifications of the gas pressure regulator. If in doubt, always consult a gas technical specialist.

### 5.6. What to do if something goes wrong?

Of course, we do everything we can to make a safe product. Therefore, follow the instructions and directions in this user manual at all times:



#### *Cosi fire pits extinguishing instructions*

It is important to stop the gas supply as soon as possible when something goes wrong. Immediately turn the control knob to 'OFF' to stop the gas supply and close the gas cylinder. The flames should immediately extinguish in most cases.

Should there be a gas leak in the gas hose that causes the flames to persist, the flames can be extinguished with a fire blanket or a powder extinguisher. With the fire blanket, you can extinguish the fire at an early stage. A powder extinguisher is also suitable for extinguishing propane/butane gas fires. **Never** extinguish with any other type of fire extinguisher.



## 6. Technical specifications

<b>Cosipillar Curved</b>	
Type/ Cat.:	Portable heating appliance for outdoor use
Gas type and corresponding gas pressure:	Butane / Propane I3B/P(30) 28-30 mbar (NL, UAE, LU, NO, SE, DK, FI, CZ, GR, LU, TR, UA, PL) I3+(28-30/37) - Propane 37 mbar – Butane 28-30 mbar (BE, LU, FR, GB, ES, CZ, PT, GR, LT, CH, IT, ES, IS) Propane / Butane: I3B/P(50) - 50 mbar (DE, AT, CH)
Heating capacity:	4 kW / 4 kW / 5 kW
Gas consumption:	(291 g/h) / (G30: 291 g/h, G31: 286 g/h) / (364 gr/h)
Made in:	China

### 6.1. Which gas cylinder do you use in the fire pit?

Below is an indication of which size gas cylinder you can use. The fire pit has been extensively tested on propane gas cylinders. Therefore, always use a propane gas cylinder. Using a different gas cylinder/fuel may produce a different fire behaviour, or in the worst cases cause major damage to people, pets or materials. Are you unsure about a certain gas cylinder you want to use? Then always contact the Cosi helpdesk or a licensed gas specialist.

The maximum diameter of the gas cylinder is 320 mm and the maximum height incl. gas pressure regulator is 520 mm.

The Cosipillar Curved is part of the Cosi collection.  
Cosi is a brand of Gimeg Nederland B.V.

All Cosi gas heaters are tested and certified by KIWA / GASTEC Nederland and carry the CE and UKCA quality mark.

### 6.2. Fire pit warranty

Gimeg Nederland B.V. offers a two-year warranty on the gas technical system of the fire pit. No warranty is provided in case of misuse or incorrect installation of this product. The Cosipillar Curved is made of aluminium. Always be careful with the fire pit, as damage may occur if it is moved. Do you have questions which are not covered in this manual? You may find the information you are looking for on our website. Visit our website by scanning the QR code or go to [www.cosi-fires.com](http://www.cosi-fires.com).



Gimeg Nederland B.V. can also be reached via the details below:

Atoomweg 99  
3542 AA Utrecht  
The Netherlands  
+31(0)306629500  
[info@cosi-fires.com](mailto:info@cosi-fires.com)

For UK and Ireland region, please contact:

Pacific Lifestyle  
Stafford Mills, Milnsbridge  
Huddersfield, West Yorkshire  
HD3 4JD  
United Kingdom  
01484 642115  
[sales@pacific-lifestyle.co.uk](mailto:sales@pacific-lifestyle.co.uk)

## 1. Introductie

Gefeliciteerd met de aankoop van jouw Cosipillar Curved. Wij wensen je veel plezier met de vuurzuil en waarderen het enorm als je foto's van je product op jouw locatie deelt en ons tagt op Facebook (@cosifires) en Instagram (@cosi\_fires)!



Voor veel gestelde vragen en onderhoudstips, bezoek onze website door de QR-code te scannen of ga naar [www.cosi-fires.com](http://www.cosi-fires.com).

## 2. Veiligheidsinstructies



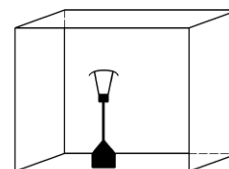
**WAARSCHUWING:** Zorg er altijd voor dat de (veiligheids-)instructies in deze gebruikershandleiding exact worden gevolgd om het risico op brand, explosies, overige schade aan personen en voorwerpen en/of verlies van leven te voorkomen. Lees deze montagehandleiding en veiligheidsinstructies zorgvuldig door voordat je het apparaat plaatst en in gebruik neemt.

1. De vuurzuil dient altijd correct gemonteerd te worden volgens de meegeleverde montage instructies.
2. Verander nooit iets aan het gas-technische systeem van dit apparaat. Elke wijziging aan het systeem kan gevaarlijk zijn en hiermee vervalt alle garantie van het apparaat.
3. Onjuiste installatie, aanpassingen of wijzigingen aan het apparaat kunnen leiden tot letsel of schade aan eigendommen.
4. In geval van onjuist gebruik of het niet volgen van de veiligheidsvoorschriften wordt iedere aansprakelijkheid afgewezen en zal de garantie niet van toepassing zijn.
5. Dit apparaat moet worden gebruikt in overeenstemming met de geldende voorschriften. Ook de gasfles moet in overeenstemming met deze voorschriften worden opgeslagen.
6. Als je op enig moment gas ruikt: Sluit direct de gastoevoer van de vuurzuil, doof al het open vuur in de buurt van de tafel en zet de vuurzuil niet meer aan. Blijf je een gaslucht ruiken? Ga bij de vuurzuil vandaan en bel op afstand met een gas technisch specialist.
7. De vuurzuil moet recht geplaatst worden op een harde, stabiele ondergrond.
8. De vuurzuil is alleen geschikt voor gebruik met propaangasflessen. Maak nooit gebruik van een andere brandstof dan in deze handleiding wordt omschreven. Zie punt 6. 'Technische specificaties' voor meer informatie.
9. Plaats de gasfles altijd rechtop. De gasfles mag nooit liggend of schuin in het apparaat geplaatst worden.
10. Houd de omgeving van het apparaat vrij van brandbare vloeistoffen, materialen, brandstoffen en dampen, minimaal 2 meter.
11. Controleer voor elk gebruik of de aansluiting van de gas slang op de brander, de gasdrukregelaar op de gas slang en de gasdrukregelaar op de gasfles goed gemonteerd zijn en niet loszitten. Zorg er tijdens controle van de verbindingen altijd voor dat de gaskraan op de gasfles dicht gedraaid zit. Mochten de verbindingen loszitten, draai deze dan altijd vast voordat het apparaat in gebruik wordt genomen.
12. Vervang de gasfles in de buitenlucht, uit de buurt van een ontstekingsbron (kaars, sigaretten, andere vlammen producerende apparaten).
13. Elke keer als de gasverbinding opnieuw wordt aangesloten en voor ieder gebruik, dienen de verbindingen zoals genoemd in punt 11 en de gas slang zelf gecontroleerd te worden op lekkages. De gas slang en gasdrukregelaar moeten binnen de voorgeschreven intervallen worden vervangen (zie punt 5.5.).
14. De gas slang mag nooit in aanraking komen met het warme oppervlak van de brander. Zorg ervoor dat de slang altijd rechtstreeks naar beneden richting de gasfles wordt gebogen en de oppervlakte van de brander niet raakt.
15. De gas slang moet voldoen aan de nationaal geldende wet- en regelgeving (EN16436). De slang is aangesloten op de meegeleverde gasdrukregelaar. Sluit de gasfles nooit zonder gasdrukregelaar rechtstreeks op het apparaat aan.
16. De gasdrukregelaar is ingesteld op 28-30 mbar, 37 mbar of 50 mbar en de uitlaatdruk van de gasdrukregelaar is 28-30 mbar, 37 mbar of 50 mbar. De gasdrukregelaar moet worden ingesteld op basis van de specifieke gascategorie per land, zie de tabel in punt 6. 'Technische specificaties'. De gasdrukregelaar moet voldoen aan de EN16129-norm.
17. Verander nooit de luchtventiel-instellingen van de brander. Indien de luchtopeningen van de branding versperd/verstopt zijn, schakel dan direct een gas technisch specialist in.
18. Belemmer nooit een vrije doorstroming van lucht en zuurstof naar het apparaat.

19. De inspuiter van dit apparaat mag niet verwijderd worden en de inspuiter mag alleen door een specialist geïnstalleerd en/of vervangen worden.
20. Dit apparaat is niet toegestaan om van één gasdruk naar een andere gasdruk om te schakelen. Maak altijd gebruik van de voorgeschreven gasdrukregelaar (zie 6. 'Technische specificaties').
21. Dit apparaat heeft een open vuur, zorg ervoor dat er tijdens ingebruikname altijd toezicht is op kinderen en huisdieren door een volwassen en verantwoordelijk persoon. De vuurzuil mag niet worden bediend door kinderen.



22. **WAARSCHUWING:** Houd kinderen en huisdieren op ruim voldoende afstand van het apparaat. De Cosi brander beschikt over onderdelen welke zeer heet worden bij gebruik! Wacht na gebruik totdat het apparaat voldoende is afgekoeld voordat kinderen en huisdieren bij het apparaat in de buurt komen. Er wordt geadviseerd minimaal 1,5 uur te wachten.
23. Verplaats het apparaat nooit indien het in gebruik is. Wacht na gebruik minimaal 1,5 uur voordat je het apparaat gaat verplaatsen. Sluit altijd de gaskraan van de gasfles voordat je het apparaat verplaatst.
24. Laat tijdens het gebruik het open vuur nooit onbeheerd achter.
25. Raak de lavastenen niet aan totdat deze volledig zijn afgekoeld.
26. Draai na gebruik altijd de gastoevoer op de brander dicht en sluit altijd de gaskraan van de gasfles.
27. Wacht minimaal twee uur na het uitzetten van de vuurzuil voordat je een eventuele beschermhoes plaatst.
28. Gebruik de vuurzuil niet tijdens zware wind of een storm.
29. De vuurzuil dient altijd buitenshuis te worden gebruikt of in zeer goed geventileerde ruimtes. Dit kunnen bijvoorbeeld serres of veranda's zijn. Een goed geventileerde ruimte moet voor minimaal 25% van de oppervlakte direct in verbinding staan met de buitenlucht. De oppervlakte is de som van de muren van de ruimte. Zie de afbeelding rechts voor verduidelijking.
30. Gebruik de vuurzuil nooit in een gebouw, woning, garage of een andere afgesloten ruimte.
31. De gebruiksaanwijzing en montagehandleiding moeten bij de gashaard worden bewaard. In geval van verkoop aan derden moeten deze documenten worden meegeleverd.
32. Het gebruik van alcohol, drugs en bepaalde medicatie kunnen het vermogen om de vuurzuil correct te monteren of veilig te bedienen beïnvloeden.
33. Plaats of verbrand **geen** voorwerpen of brandstoffen in het vuur van de vuurzuil.
34. Let extra op wanneer je brandbare kleding draagt terwijl je de vuurzuil ontsteekt en in de buurt van de vuurzuil zit.
35. Hang niet boven de brander wanneer je de vuurzuil ontsteekt.
36. Niet op de vuurzuil zitten en/of staan, zeker niet wanneer deze in gebruik is.
37. Koppel de gasfles of -verbindingen niet los wanneer de vuurzuil in gebruik is.
38. Plaats de vuurzuil niet onder hangende objecten.
39. Zorg ervoor dat je een blusdeken en poederblusser in huis hebt voordat je het apparaat in gebruik neemt. Plaats in geval van brand de blusdeken onmiddellijk op het vuur en zorg ervoor dat de vlammen niet worden blootgesteld aan zuurstof. De beste manier om te blussen is door middel van een poederblusser. Gebruik **nooit** water of schuimblussers voor brandstofbranden.
40. Gasflessen dienen opgeslagen te worden buitenshuis of in goed geventileerde ruimtes, in overeenstemming met de geldende voorschriften. Houd gasflessen buiten het bereik van kinderen.
41. De vuurzuil kan je het beste opslaan in een garage of goed geventileerde ruimte. Sla de vuurzuil alleen op als deze losgekoppeld is van de gasfles.
42. De vuurzuil is niet goedgekeurd als kookapparaat en mag dus ook niet als zodanig worden gebruikt.
43. Voor hulp of aanvullende informatie neem contact op met een erkende monteur, de Cosi helpdesk of het aankoopadres.

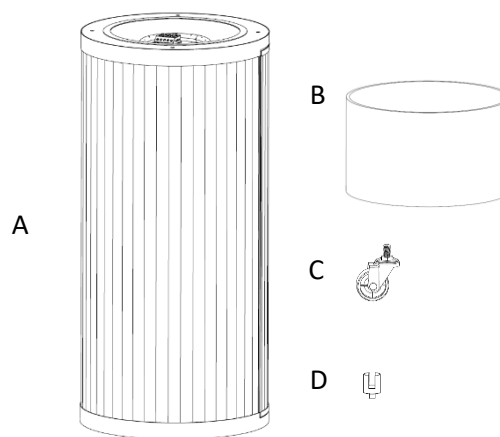


### 3. Verpakkingsinhoud

De Cosipillar Curved wordt geleverd inclusief de volgende onderdelen:

Inhoud van de verpakking:

- A. Cosipillar Curved
- B. Glas
- C. 4x wieltjes
- D. 4x verbindingsstuk
- E. 1x doos lavastenen
- F. AAA-batterij



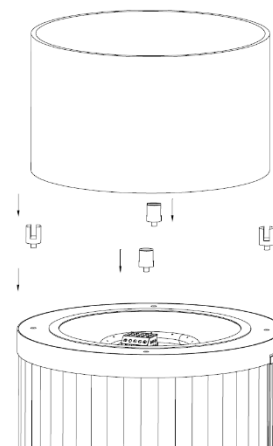
Het enige wat je zelf nog dient aan te schaffen is een propaangasfles. Deze is te verkrijgen bij jouw plaatselijke gasleverancier. Meer informatie over de maximale afmetingen van de gasfles vind je bij punt 6.1.

### 4. Montage instructies

#### 4.1. Plaatsen van de vuurzuil

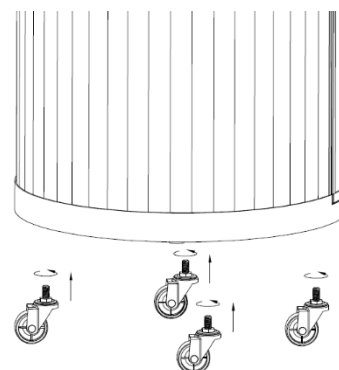
Volg onderstaande stappen om de vuurzuil op correcte wijze te monteren. **Let op:** zorg dat de brander tijdens het uitvoeren van onderstaande stappen nog niet op een gasfles is aangesloten!

1. Haal voorzichtig de onderdelen uit de verpakking en controleer of alles aanwezig is aan de hand van bovenstaand overzicht.
2. Kies de locatie waar je de vuurzuil wil plaatsen. Zorg ervoor dat de vuurzuil op een verharde (lieftst stenen) ondergrond staat. De ondergrond dient geheel vlak en schoon te zijn. Verder dient de vuurzuil geplaatst te worden op minimaal twee meter afstand van brandbare materialen en vloeistoffen.
3. De vuurzuil wordt geleverd met verstelbare pootjes eronder. Wanneer de vuurzuil op een ondergrond staat die niet helemaal gelijk is, kan je door middel van de verstelbare pootjes de vuurzuil waterpas zetten.
4. Plaats de vier verbindingsstukken (D) in de vier gaten aan de bovenkant van de stijl. Plaats vervolgens het glas (B) in de uitsparingen van de vier verbindingsstukken.



Wil je de Cosipillar gemakkelijker kunnen verplaatsen? Dan kunnen de verstelbare pootjes worden vervangen door de los bijgeleverde wieltjes (C). Dit kan als volgt worden uitgevoerd:

- Zorg ervoor dat de Cosipillar niet is aangesloten op een gasfles, er geen gasfles in het model staat en dat het glas en de lavastenen zijn verwijderd.
- Laat een tweede persoon de Cosipillar voorzichtig iets kantelen, zodat aan één zijde de twee verstelbare pootjes gemakkelijk te bereiken zijn. **Let op:** de bovenzijde van de Cosipillar zit los, niet tillen vanaf bovenzijde. De Cosipillar kan het beste bij de body vastgepakt worden.
- Draai terwijl de Cosipillar gekanteld staat de verstelbare pootjes uit het model en plaats hier de wieltjes voor in de plaats. Zorg er vervolgens voor dat de Cosipillar naar de andere kant gekanteld wordt om de andere twee pootjes eruit te draaien en de laatste twee wieltjes (C) in het model te draaien. We adviseren de twee wieltjes met rem diagonaal van elkaar te plaatsen en niet direct naast elkaar.

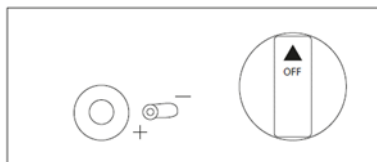


## 4.2. Gereedmaken voor gebruik

### 4.2.1. Plaatsen of vervangen van de batterij

De vuurzuil beschikt over een piëzo ontsteking welke werkt op één AAA-batterij. De batterij kan je als volgt plaatsen of vervangen:

- Zorg ervoor dat de vuurzuil en de lavastenen volledig zijn afgekoeld.
- Zorg ervoor dat de vuurzuil niet (meer) is aangesloten op een gasfles.
- Naast de bedieningsknop zit een kleinere zwarte knop op het bedieningspaneel. Dit is de ontsteking en hierin bevindt zich de batterij.
- Je kunt nu de zwarte ontsteking linksom opendraaien en de batterij in de ontsteking plaatsen, let goed op de +/- zijde. Draai de ontsteking vervolgens weer dicht.



- Na veelvuldig gebruik kan de batterij leegraken. Heb je de batterij vervangen? Lever dan de lege batterij in bij een verzamelpunt.

### 4.2.2. Plaatsen van de lavastenen

Wanneer je de vuurzuil goed hebt geplaatst, kan je de lavastenen in de brander plaatsen. Bij elke vuurzuil worden lavastenen meegeleverd. Pak de lavastenen zonder gruis met de hand op, anders kunnen de brandergaatjes verstopt raken. Plaats de lavastenen voorzichtig in en op de brander. Houd de ontstekingsunit vrij van lavastenen.



Wil je de lavastenen of het glas van de Cosipillar nabestellen? Dit is mogelijk bij jouw aankoopadres.

### 4.2.3. Plaatsen of vervangen van de gasfles

Heb je een gasfles aangeschaft met de juiste afmetingen (zie punt 6. 'Technische specificaties')? Dan kan je de gasdrukregelaar van de brander aansluiten op de gasfles. Dit doe je op de volgende wijze: Monteer de gasdrukregelaar op de gasfles. Draai met de hand, dus **niet** met andere hulpmiddelen, de moer van de gasdrukregelaar goed vast.

Vervolgens kan je de gasfles in de gasflesunit in de vuurzuil plaatsen. Dit is echter niet verplicht. Je kunt er ook voor kiezen om de gasfles extern van het apparaat te plaatsen.

- Plaatsen van de gasfles in het apparaat
  1. Aan een zijde van de vuurzuil zit een gasflesunit. Open het deurtje door in de linkerbovenhoek te duwen. Plaats de gasfles altijd rechtop op het stalen frame. De gasfles mag **nooit** liggend of schuin in het apparaat geplaatst worden. Je kunt de gasfles in de unit vastzetten door middel van de zwarte band. Zo verklein je de kans dat de gasfles omvalt.
  2. Zorg dat de gasfles is aangesloten op de meegeleverde gasdrukregelaar en draai de gasfles open als je de vuurzuil wil gebruiken.
  3. Let erop dat de gasslang altijd naar beneden richting de gasfles wordt gebogen. Zorg ervoor dat de gasslang nooit tegen warme oppervlaktes van het apparaat wordt gedrukt.
  4. Gebruik je de vuurzuil niet? Draai dan altijd de gastoevoer op de brander en gaskraan op de gasfles dicht.
- Plaatsen van de gasfles extern van het apparaat

Wil je de gasfles niet in het model plaatsen omdat je bijvoorbeeld gebruik maakt van een gasfles met grotere inhoud dan staat voorgeschreven? Dan kan je de gasfles ook extern van het model plaatsen. Dit doe je op de volgende manier:

  1. Begeleid de gasslang onder de Cosipillar door of door het deurtje van de Cosipillar heen (op deze tweede manier kan het deurtje niet dicht).
  2. De meegeleverde gasslang is 1,5 m lang. Plaats de gasfles dus op een maximale afstand van 1 meter van de vuurzuil. Het is niet mogelijk om de gasslang open over het terras te plaatsen.

Personen of huisdieren kunnen immers over de gas slang vallen. Plaats de gas fles daarom altijd op een plek waar niet gelopen wordt en waar kinderen en huisdieren niet bij kunnen.

3. Zorg dat de gas fles is aangesloten op de meegeleverde gasdrukregelaar en draai de gas fles open als je de vuurzuil wil gebruiken.
4. Gebruik je de vuurzuil niet? Draai dan altijd de gastoevoer op de brander en gaskraan op de gas fles dicht.

Is de gas fles leeg en dien je deze te vervangen? Zorg ervoor dat de gaskraan te allen tijde dicht is en draai de gasdrukregelaar met de hand van de gas fles. Zorg er daarnaast voor dat het model en de lavastenen volledig zijn afgekoeld! Verwijder de oude fles en verbind eventueel direct de nieuwe gas fles met de gasdrukregelaar, maak hiervoor gebruik van de omschrijving hierboven. De lege fles kan je omruilen of laten vullen bij de plaatselijke gasleverancier. Controleer na het plaatsen van een nieuwe fles **altijd** alle gasverbindingen op lekkage (zie punt 5.5.).

## 5. Gebruikshandleiding

### 5.1. Instructies voor ontsteking

- Controleer of de vuurzuil stabiel en stevig staat.
- Zorg ervoor dat de vuurzuil is aangesloten op een gevulde gas fles en dat er een volle batterij in de ontsteking is geplaatst. Druk de kleine zwarte knop (ontstekingsknop) volledig in totdat je een zacht getik hoort, dit is de piëzo ontsteking. Als je niets hoort bij het induwen van de ontstekingsknop dan moet je waarschijnlijk de batterij vervangen. Houd vervolgens de ontstekingsknop ingedruwd terwijl je de gastoevoer opent door de grote knop (gastoevoer) naar 'HIGH' te draaien. De brander moet nu binnen 15 seconden ontsteken. Als de brander volledige vlammen geeft, houd je de bedieningsknop nog 15 seconden ingehouden. De vlammen blijven nu branden. Doven de vlammen echter? Probeer dit dan nogmaals en houd de gastoevoerknop nog langer ingehouden.
- Wanneer de brander nog niet blijft branden, neem dan contact op met het aankoopadres.

### 5.2. Eerste gebruik



**Let op!** Ga je de vuurzuil voor het eerst gebruiken? Zorg er dan voor dat het apparaat gedurende 15 minuten op de hoogste stand wordt aangezet. Op deze manier worden de lavastenen goed verhit en dit zorgt ervoor dat mogelijke oneffenheden of luchtbelletjes uit de lavastenen zullen verdwijnen. Houd tijdens de eerste keer branden, en nadat de lavastenen vochtig zijn geweest (door bijvoorbeeld regen), minimaal **twee meter afstand** van de brander en zorg er ook voor dat binnen deze **straal van twee meter geen** brandbare materialen om of op de tafel geplaatst zijn. Doordat de luchtbelletjes uit de lavastenen gebrand worden, kunnen de steentjes de eerste keer en nadat ze nat zijn geweest opspringen en mogelijk uit de brander komen.

Wil je na gebruik de lavastenen opruimen of verplaatsen? Zorg er dan **altijd** voor dat deze volledig zijn afgekoeld! De lavastenen kunnen op termijn zwart gaan blakeren. Dit heeft te maken met roetvorming wat altijd ontstaat bij apparaten welke gele vlammen produceren. Deze roetvorming kan je verwijderen door de lavastenen schoon te blazen / zuigen met een aszuiger. Het roet kan er ook afgeborsteld worden met een droge borstel.

### 5.3. Uitschakelen van de vuurzuil

- Wil je de vuurzuil uitschakelen? Draai de bedieningsknop helemaal naar 'OFF' zodat de vlammen doven. Indien de vlammen helemaal gedoofd zijn, draai je de gaskraan van de gas fles dicht.
- Laat de vuurzuil en lavastenen volledig afkoelen voordat je de afdekplaat op de brander plaatst.

### 5.4. Verplaatsen van het apparaat

De Cosipillar wordt geleverd inclusief vier wieltjes. Met behulp van deze wieltjes verplaats je de Cosipillar gemakkelijk van plek, waardoor je op meerdere plekken in je tuin of op je terras van de pilaar kan genieten. Hoe je de wieltjes monteert lees je bij stap 4.1.

**Let op:** ga je de Cosipillar verplaatsen, zorg dan dat de Cosipillar uitgeschakeld en volledig afgekoeld is. Haal de wieltjes van de rem af en duw tegen of trek aan de body van de Cosipillar om deze te verplaatsen. **Let op:** Als je de zuil wilt verplaatsen, til of duw dan niet tegen het glas; dit zit losjes bovenop het apparaat. Wees voorzichtig, de Cosipillar zou door het zetten van te veel kracht kunnen omvallen. Staat de Cosipillar recht op zijn plaats? Zet de wieltjes dan eerst op de rem voordat je de Cosipillar aanzet.

### 5.5. Vervangen van de gas slang en de gasdrukregelaar

De levensduur van een propaangas slang is 5 tot 10 jaar. Er wordt geadviseerd om de gas slang en gasdrukregelaar één keer in de 5 jaar te vervangen. Controleer het apparaat na het vervangen van de gasdrukregelaar en gas slang en voor ieder gebruik op gas lekkage. Dit kan je als volgt doen:

- Open de gas fles, maar zet het apparaat **niet** aan (bedieningsknop blijft op OFF)!
- Maak een oplossing van 50% wasmiddel en 50% water en breng dit aan op alle verbindingen en op de gas slang. Indien er een gas lekkage in de verbindingen of slang zit ontstaan er luchtbelletjes.
- Als er luchtbelletjes zichtbaar worden en er dus een gas lekkage zit, sluit dan direct de gaskraan van de gas fles. Vervang de slang of gasdrukregelaar voor een nieuw exemplaar en voer de controle opnieuw uit. Ontsteek het apparaat pas wanneer er geen belletjes meer gedetecteerd worden.
- Mocht het probleem zich aanhouden, neem dan contact op met een erkende gasinstallateur.

Vervang je de gas slang en/of gasdrukregelaar? Plaats deze dan op exact dezelfde manier zoals deze gemonteerd waren. De gas slang mag maximaal 2,5 meter lang zijn. In punt 6. 'Technische specificaties' vind je de technische specificaties van de gasdrukregelaar. Bij twijfel raadpleeg altijd een erkende gasinstallateur.

### 5.6. Wat te doen als het mis gaat?

Natuurlijk doen wij er alles aan om een veilig product te maken. Volg daarom ten allen tijden de instructies en aanwijzingen uit deze gebruikshandleiding op:



#### *Blusinstructie Cosi vuurzulen*

Het is van belang om de gastoevoer zo snel mogelijk te stoppen wanneer er iets misgaat. Draai direct de bedieningsknop naar 'OFF' om de gastoevoer te stoppen en draai de gas fles dicht. De vlammen zouden in de meeste gevallen direct doven.

Mocht er een gaslek in de gas slang zitten waardoor de vlammen niet doven, dan zijn de vlammen te doven met een blusdeken of een poederblusser. Met de blusdeken kan je het vuur in een vroeg stadium doven. Daarnaast is een poederblusser geschikt om het vuur van propaan- / butaangas te doven. Blus **nooit** met een ander type brandblusser.

## 6. Technische specificaties

<b>Cosipillar Curved</b>	
Type/ Cat.:	Verplaatsbaar verwarmingsapparaat voor buiten
Gas type en bijhorende gasdruk:	Butaan / Propaan I3B/P(30) 28-30 mbar (NL, UAE, LU, NO, SE, DK, FI, CZ, GR, LU, TR, UA, PL) I3+(28-30/37) - Propaan 37 mbar – Butaan 28-30 mbar (BE, LU, FR, GB, ES, CZ, PT, GR, LT, CH, IT, ES, IS) Propaan / Butaan: I3B/P(50) - 50 mbar (DE, AT, CH)
Verwarmingscapaciteit:	4 kW / 4 kW / 5 kW
Gasverbruik:	(291 g/h) / (G30: 291 g/h, G31: 286 g/h) / (364 g/h)
Gemaakt in:	China

### 6.1. Welke gasfles gebruik je in de vuurzuil?

Hieronder staat vermeld welke maat gasfles je kunt gebruiken. De vuurzuil is uitvoerig getest op propaangasflessen. Maak daarom altijd gebruik van een propaangasfles. Gebruik van een andere gasfles / brandstof kan een ander brandgedrag opleveren, of in de ergste gevallen grote schade aan personen, huisdieren of materialen veroorzaken. Twijfel je over een bepaalde gasfles welke je wil gebruiken? Neem dan altijd contact op met de Cosi helpdesk of een erkend gas specialist.

De maximale diameter van de gasfles is 320 mm en de maximale hoogte incl. gasdrukregelaar 520 mm.

De Cosipillar Curved behoort tot de collectie van Cosi.  
Cosi is een merk van Gimeg Nederland B.V.

Alle Cosi gashaarden zijn getest en gecertificeerd door KIWA / GASTEC Nederland en dragen het CE en UKCA keurmerk.

### 6.2. Garantie vuurzuil

Gimeg Nederland B.V. geeft twee jaar garantie op het gas technische systeem van de vuurzuil. Er wordt geen garantie verleend bij foutief gebruik of foutieve plaatsing van dit product. De Cosipillar Curved is gemaakt van aluminium. Wees altijd voorzichtig met de vuurzuil, bij verplaatsing van het apparaat kan er beschadiging optreden. Heb je vragen welke niet behandeld zijn in deze handleiding? Op onze website vind je wellicht de informatie die je zoekt. Bezoek onze website door de QR-code te scannen of ga naar [www.cosi-fires.com](http://www.cosi-fires.com).



Daarnaast is Gimeg Nederland B.V. bereikbaar via onderstaande gegevens:

Gimeg Nederland B.V.

Atoomweg 99

3542 AA Utrecht

+31(0)306629500

[info@cosi-fires.com](mailto:info@cosi-fires.com)



## 1. Einleitung

Herzlichen Glückwunsch zum Kauf Ihres Cosipillar Curved. Wir wünschen Ihnen viel Freude mit Ihrem Feuertisch und würden uns sehr freuen, wenn Sie Fotos von Ihrem Produkt an Ihrem Aufstellungsort teilen und uns auf Facebook (@cosifires) und Instagram (@cosi\_fires) markieren!



Für häufig gestellte Fragen und Wartungstipps besuchen Sie unsere Website, indem Sie den QR-Code scannen, oder gehen Sie zu [www.cosi-fires.com](http://www.cosi-fires.com).

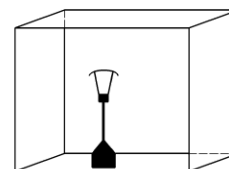
## 2. Sicherheitshinweise



**WARNUNG:** Achten Sie immer darauf, dass die (Sicherheits-)Anweisungen in dieser Betriebsanleitung genau befolgt werden, um die Gefahr von Feuer, Explosionen, anderen Personen- und Sachschäden und/oder Unfällen mit Todesfolge zu vermeiden. Lesen Sie diese Montageanleitung und Sicherheitshinweise sorgfältig durch, bevor Sie das Gerät installieren und in Betrieb nehmen.

1. Der Feuertisch sollte immer korrekt gemäß der mitgelieferten Montageanleitung zusammengebaut werden.
2. Nehmen Sie niemals Änderungen an der gastechnischen Anlage dieses Geräts vor. Jegliche Veränderung des Systems kann gefährlich sein und führt zum Erlöschen der Garantie für das Gerät.
3. Eine unsachgemäße Installation, Einstellung oder Veränderung des Geräts kann zu Verletzungen oder Sachschäden führen.
4. Bei unsachgemäßem Gebrauch oder Nichtbeachtung der Sicherheitshinweise wird jede Haftung abgelehnt und die Garantie entfällt.
5. Dieses Gerät muss in Übereinstimmung mit den geltenden Vorschriften verwendet werden. Auch die Gasflasche muss gemäß diesen Vorschriften gelagert werden.
6. Wenn Sie zu irgendeinem Zeitpunkt Gas riechen: Schließen Sie sofort die Gaszufuhr des Feuertisches, löschen Sie alle offenen Feuer in der Nähe des Tisches und schalten Sie den Feuertisch nicht wieder ein. Hält der Gasgeruch an? Entfernen Sie sich vom Feuertisch und wenden Sie sich an einen Gasfachmann.
7. Der Feuertisch sollte gerade und auf einer harten, stabilen Oberfläche aufgestellt werden.
8. Der Feuertisch ist nur für die Verwendung mit Propangasflaschen geeignet. Verwenden Sie niemals einen anderen als den in dieser Betriebsanleitung beschriebenen Brennstoff. Siehe Punkt 6. „Technische Daten“ für weitere Informationen.
9. Stellen Sie die Gasflasche immer in aufrechter Position auf. Die Gasflasche darf niemals liegend oder schräg in das Gerät eingesetzt werden.
10. Halten Sie den Bereich um das Gerät frei von brennbaren Flüssigkeiten, Materialien, Brennstoffen und Dämpfen, und halten Sie dabei einen Abstand von mindestens 2 Metern ein.
11. Prüfen Sie vor jedem Gebrauch, ob die Anschlüsse des Gasschlauchs am Brenner, des Gasdruckreglers am Gasschlauch und des Gasdruckreglers an der Gasflasche richtig sitzen und nicht locker sind. Achten Sie bei der Überprüfung der Anschlüsse immer darauf, dass der Gashahn an der Gasflasche zuge dreht ist. Sollten die Anschlüsse locker sein, ziehen Sie sie immer fest, bevor Sie das Gerät in Betrieb nehmen.
12. Tauschen Sie die Gasflasche im Freien aus, und zwar entfernt von einer Zündquelle (Kerze, Zigaretten, andere flammenerzeugende Geräte).
13. Jedes Mal, wenn der Gasanschluss wieder angeschlossen wird, sowie vor jedem Gebrauch, sollten die unter Punkt 11 genannten Anschlüsse und der Gasschlauch selbst auf Dichtheit geprüft werden. Der Gasschlauch und der Gasdruckregler müssen innerhalb der vorgeschriebenen Intervalle ausgetauscht werden (siehe Punkt 5.5.).
14. Der Gasschlauch darf niemals mit der heißen Oberfläche des Brenners in Berührung kommen. Achten Sie darauf, dass der Schlauch immer direkt nach unten zur Gasflasche gebogen ist und nicht die Oberfläche des Brenners berührt.
15. Der Gasschlauch muss den national geltenden Gesetzen und Vorschriften (EN16436) entsprechen. Der Schlauch ist an den mitgelieferten Gasdruckregler angeschlossen. Schließen Sie die Gasflasche niemals ohne einen Gasdruckregler direkt an das Gerät an.
16. Der Gasdruckregler ist auf 28-30 mbar, 37 mbar oder 50 mbar eingestellt und der Ausgangsdruck des Gasdruckreglers beträgt 28-30 mbar, 37 mbar oder 50 mbar. Der Gasdruckregler muss entsprechend der länderspezifischen Gaskategorie eingestellt werden, siehe die Tabelle unter Punkt „6. Technische Daten“. Der Gasdruckregler muss der Norm EN16129 entsprechen.

17. Ändern Sie niemals die Luftventileinstellungen des Brenners. Wenn die Lüftungsöffnungen des Brennriings blockiert/verstopft sind, ziehen Sie sofort einen Gasfachmann hinzu.
18. Behindern Sie niemals den freien Luft- und Sauerstofffluss zum Gerät.
19. Die Einspritzdüse dieses Geräts sollte nicht entfernt werden und die Einspritzdüse sollte nur von einem Fachmann installiert und/oder ausgetauscht werden.
20. Dieses Gerät darf nicht von einem Gasdruck auf einen anderen Gasdruck umgeschaltet werden. Verwenden Sie immer den vorgeschriebenen Gasdruckregler (siehe „6. Technische Daten“).
21. Dieses Gerät hat eine offene Flamme. Achten Sie immer darauf, dass Kinder und Haustiere während des Betriebs von einem Erwachsenen und einer verantwortlichen Person beaufsichtigt werden. Der Feuertisch darf nicht von Kindern bedient werden.
22. **WARNUNG:** Halten Sie Kinder und Haustiere von dem Gerät fern. Der Cosi-Brenner hat Teile, die sehr heiß werden, wenn er in Betrieb ist! Warten Sie nach dem Gebrauch, bis das Gerät ausreichend abgekühlt ist, bevor Sie Kinder und Haustiere in die Nähe des Geräts lassen. Es wird empfohlen, mindestens 1,5 Stunden zu warten.
23. Bewegen Sie das Gerät niemals, während es in Betrieb ist. Warten Sie nach Gebrauch mindestens 1,5 Stunden, bevor Sie das Gerät bewegen. Schließen Sie immer den Hahn der Gasflasche, bevor Sie das Gerät bewegen.
24. Lassen Sie offenes Feuer während des Gebrauchs niemals unbeaufsichtigt.
25. Berühren Sie die Lavasteine und nicht, bevor sie vollständig abgekühlt sind.
26. Schließen Sie nach dem Gebrauch immer die Gaszufuhr am Brenner und den Gashahn an der Gasflasche.
27. Warten Sie nach dem Ausschalten des Feuertisches mindestens zwei Stunden, bevor Sie eine Schutzabdeckung anbringen.
28. Verwenden Sie den Feuertisch nicht bei starkem Wind oder Sturm.
29. Der Feuertisch sollte immer im Freien oder in sehr gut belüfteten Räumen verwendet werden, zum Beispiel in Wintergärten oder unter Veranden. In einem gut belüfteten Raum sollten mindestens 25 % der Fläche direkt mit der Außenluft in Verbindung stehen. Die Fläche ist die Summe der Wände des Raumes. Siehe das Bild auf der rechten Seite zur Verdeutlichung.
30. Verwenden Sie den Feuertisch niemals in einem Gebäude, einer Wohnung, einer Garage oder einem anderen geschlossenen Bereich.
31. Bewahren Sie die Bedienungs- und Installationsanleitung zusammen mit dem Gaskamin auf. Im Falle eines Verkaufs an Dritte müssen diese Dokumente beigelegt werden.
32. Der Konsum von Alkohol, Drogen und bestimmten Medikamenten kann die Fähigkeit beeinträchtigen, den Feuertisch korrekt zusammenzubauen oder sicher zu bedienen.
33. Legen Sie **keine** Gegenstände oder Brennstoffe in das Feuer des Feuertisches und verbrennen Sie diese nicht.
34. Falls Sie brennbare Kleidung tragen, lassen Sie beim Anzünden und beim Aufenthalt in der Nähe des Feuertisches besondere Vorsicht walten.
35. Hängen Sie beim Anzünden des Feuertisches nicht über dem Brenner.
36. Setzen und/oder stellen Sie sich nicht auf den Feuertisch, vor allem nicht während des Gebrauchs.
37. Trennen Sie die Gasflasche oder die Anschlüsse nicht ab, wenn der Feuertisch in Gebrauch ist.
38. Stellen Sie den Feuertisch nicht unter hängende Gegenstände.
39. Vergewissern Sie sich, dass Sie eine Feuerlöschdecke und einen Pulverlöscher haben, bevor Sie das Gerät benutzen. Legen Sie im Falle eines Brandes sofort die Löschdecke auf das Feuer und sorgen Sie dafür, dass die Flammen nicht mit Sauerstoff in Berührung kommen. Die beste Art zu löschen ist der Einsatz eines Pulverlöschers. Verwenden Sie **niemals** Wasser oder Schaumlöscher für Brennstoffbrände.
40. Gasflaschen sollten gemäß den geltenden Vorschriften im Freien oder in gut belüfteten Bereichen gelagert werden. Bewahren Sie Gasflaschen außerhalb der Reichweite von Kindern auf.
41. Lagern Sie den Feuertisch vorzugsweise in einer Garage oder einem gut belüfteten Raum. Lagern Sie den Feuertisch nur, wenn er von der Gasflasche abgetrennt ist.
42. Der Feuertisch ist nicht als Kochgerät zugelassen und sollte daher nicht als solches verwendet werden.
43. Wenn Sie Hilfe oder zusätzliche Informationen benötigen, wenden Sie sich an einen autorisierten Techniker, den Cosi-Helpdesk oder die Verkaufsstelle, bei der Sie das Gerät gekauft haben.



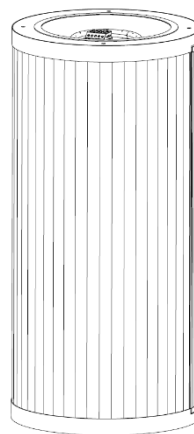
### 3. Inhalt der Verpackung

Der Cospillar Curved wird mit den folgenden Teilen geliefert:

Inhalt der Verpackung:

- A. Cospillar Curved
- B. Glas
- C. 4x Räder
- D. 4x Verbindungsstück
- E. 1x Schachtel mit Lavasteinen
- F. AAA-Batterie

A



B



C



D



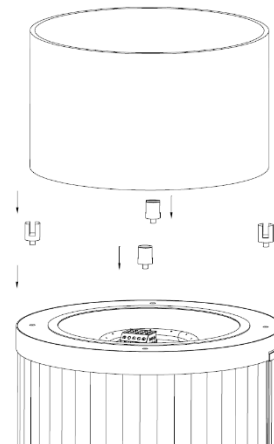
Das einzige, was Sie noch selbst kaufen müssen, ist eine Propangasflasche. Diese erhalten Sie von Ihrem örtlichen Gaslieferanten. Weitere Informationen zu den maximalen Abmessungen der Gasflasche finden Sie unter Punkt 6.1.

### 4. Montageanweisungen

#### 4.1. Aufstellen des Feuertisches

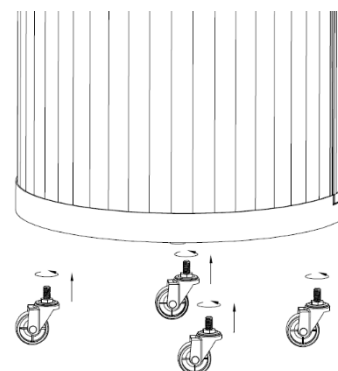
Befolgen Sie die folgenden Schritte, um den Feuertisch korrekt zusammenzubauen. **Achtung:** Stellen Sie sicher, dass der Brenner noch nicht an eine Gasflasche angeschlossen ist, während Sie die folgenden Schritte ausführen!

1. Nehmen Sie die Teile vorsichtig aus der Verpackung und überprüfen Sie anhand der obigen Übersicht, ob alle Teile vorhanden sind.
2. Wählen Sie den Ort, an dem Sie den Feuertisch aufstellen möchten. Stellen Sie sicher, dass der Feuertisch auf einer befestigten (vorzugsweise steinernen) Fläche steht. Der Untergrund sollte völlig eben und sauber sein. Außerdem sollte der Feuertisch mindestens zwei Meter von brennbaren Materialien und Flüssigkeiten entfernt aufgestellt werden.
3. Der Feuertisch wird mit verstellbaren Füßen an der Unterseite geliefert. Wenn der Feuertisch auf einer nicht ganz ebenen Fläche steht, können Sie die verstellbaren Füße verwenden, um den Feuertisch waagrecht aufzustellen.
4. Stecken Sie die vier Verbindungsstücke (D) in die vier Löcher auf der Oberseite der Säule. Setzen Sie dann das Glas (B) in die Aussparungen der vier Verbindungsstücke.



Möchten Sie den Cospillar leichter bewegen können? Dann können Sie die verstellbaren Füße durch die separat mitgelieferten Räder (C) ersetzen. Dazu gehen Sie folgendermaßen vor:

- Vergewissern Sie sich, dass der Cospillar nicht an eine Gasflasche angeschlossen ist, dass sich keine Gasflasche im Modell befindet und dass das Glas und die Lavasteine entfernt worden sind.
- Bitten Sie eine zweite Person, den Cospillar vorsichtig etwas zu kippen, sodass die beiden verstellbaren Füße auf einer Seite leicht zugänglich sind. **Hinweis:** Das Oberteil des Cospillar ist lose, kippen Sie ihn also nicht von oben. Wir empfehlen Ihnen, den Cospillar am Gehäuse zu halten.
- Während der Cospillar gekippt wird, schrauben Sie die Füße von der Unterseite des Modells ab und ersetzen Sie durch die Räder (C). Kippen Sie dann den Cospillar auf die andere Seite, um die beiden anderen Füße abzuschrauben und die verbleibenden beiden Räder in das Modell zu schrauben. Wir empfehlen, die Räder mit Bremse diagonal zueinander und nicht direkt nebeneinander zu platzieren.

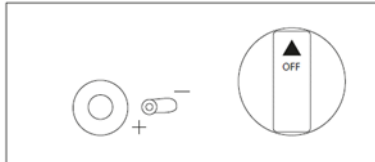


## 4.2. Vorbereitung für den Gebrauch

### 4.2.1. Einsetzen oder Austauschen der Batterie

Der Feuertisch hat eine Piezozündung, die mit einer AAA-Batterie betrieben wird. Sie können die Batterie wie folgt einsetzen oder austauschen:

- Stellen Sie sicher, dass der Feuertisch und die Lavasteine vollständig abgekühlt sind.
- Stellen Sie sicher, dass der Feuertisch nicht (mehr) an eine Gasflasche angeschlossen ist.
- Neben dem Drehknopf befindet sich ein kleinerer schwarzer Knopf auf dem Bedienfeld. Das ist die Zündung, in der sich die Batterie befindet.
- Sie können nun die schwarze Zündung gegen den Uhrzeigersinn abschrauben und die Batterie in die Zündung einsetzen. Achten Sie dabei genau auf die +/- Seite. Schließen Sie dann die Zündung wieder.



- Nach häufigem Gebrauch kann sich die Batterie erschöpfen. Haben Sie die Batterie ausgetauscht? Bringen Sie dann die leere Batterie zu einer Sammelstelle.

### 4.2.2. Platzieren der Lavasteine

Sobald Sie den Feuertisch an die richtige Stelle gestellt haben, können Sie die Lavasteine in den Brenner legen. Jeder Feuertisch wird mit Lavasteinen geliefert. Nehmen Sie die Lavasteine ohne Splitt mit der Hand auf, da sich sonst die Brennerlöcher verstopfen könnten. Legen Sie die Lavasteine vorsichtig in und auf den Brenner. Halten Sie die Zündeinheit frei von Lavasteinen.



Wenn Sie das Glas oder die Lavasteine nachbestellen möchten, ist dies über Ihre Kaufadresse möglich.

### 4.2.3. Einsetzen oder Austauschen der Gasflasche

Haben Sie eine Gasflasche mit den richtigen Abmessungen gekauft (siehe Punkt „6. Technische Daten“)? Dann können Sie den Gasdruckregler des Brenners an die Gasflasche anschließen. Gehen Sie dazu folgendermaßen vor: Montieren Sie den Gasdruckregler an der Gasflasche. Ziehen Sie die Mutter des Gasdruckreglers von Hand fest an, **nicht** mit anderen Werkzeugen.

Anschließend können Sie die Gasflasche in die Gasflascheneinheit im Feuertisch einsetzen. Dies ist jedoch nicht unbedingt erforderlich. Sie können die Gasflasche auch außerhalb des Geräts aufstellen.

- Einsetzen der Gasflasche in das Gerät
  1. Eine Seite des Cospillar ist mit einer Gasflascheneinheit ausgestattet. Stellen Sie die Gasflasche immer aufrecht auf den Stahlrahmen. Die Gasflasche **darf niemals** liegend oder schräg in das Gerät eingesetzt werden. Sie können den schwarzen Riemen verwenden, um die Flasche an der Seitenwand zu befestigen. Dadurch wird die Wahrscheinlichkeit verringert, dass die Gasflasche umkippt.
  2. Stellen Sie sicher, dass die Gasflasche an den mitgelieferten Gasdruckregler angeschlossen ist und drehen Sie die Gasflasche auf, wenn Sie den Feuertisch benutzen möchten.
  3. Achten Sie darauf, den Gasschlauch immer nach unten zur Gasflasche zu biegen. Stellen Sie sicher, dass der Gasschlauch niemals gegen warme Oberflächen des Geräts gedrückt wird.
  4. Verwenden Sie den Feuertisch nicht? Schließen Sie in diesem Fall immer die Gaszufuhr am Brenner und das Gasventil an der Gasflasche.
- Aufstellen der Gasflasche außerhalb des Geräts

Möchten Sie die Gasflasche nicht in das Modell einsetzen, weil Sie z.B. eine Gasflasche mit einem größeren Fassungsvermögen als angegeben verwenden? Dann können Sie die Gasflasche auch außerhalb des Modells aufstellen. Dazu gehen Sie folgendermaßen vor:

  1. Der Gasschlauch kann außerhalb des Cospillars geführt werden, indem Sie ihn unter dem Sockel des Cospillars oder durch die Tür führen (das bedeutet, dass sich die Tür nicht schließen lässt).

2. Der mitgelieferte Gasschlauch ist 1,5 m lang. Stellen Sie die Gasflasche also in einem maximalen Abstand von 1 Meter zum Feuertisch auf. Es ist nicht möglich, den Gasschlauch offen über die Terrasse zu verlegen, da Menschen oder Haustiere über den Gasschlauch stolpern können. Stellen Sie die Gasflasche daher immer an einen Ort, an dem niemand darüber stolpern kann und der für Kinder und Haustiere unerreichbar ist.
3. Stellen Sie sicher, dass die Gasflasche an den mitgelieferten Gasdruckregler angeschlossen ist und drehen Sie die Gasflasche auf, wenn Sie den Feuertisch benutzen möchten.
4. Verwenden Sie den Feuertisch nicht? Schließen Sie in diesem Fall immer die Gaszufuhr am Brenner und das Gasventil an der Gasflasche.

Ist die Gasflasche leer und müssen Sie sie austauschen? Vergewissern Sie sich, dass der Gashahn stets geschlossen ist und drehen Sie den Gasdruckregler der Gasflasche von Hand zu. Vergewissern Sie sich außerdem, dass das Modell und die Lavasteine vollständig abgekühlt sind! Entfernen Sie die alte Flasche und schließen Sie die neue Gasflasche ggf. direkt an den Gasdruckregler an, wie oben beschrieben. Sie können die leere Flasche umtauschen oder sie bei Ihrem örtlichen Gasversorger auffüllen lassen. Prüfen Sie nach dem Einsetzen einer neuen Flasche **immer** alle Gasanschlüsse auf Dichtheit (siehe Punkt 5.5.).

## 5. Gebrauchsanleitung

### 5.1. Zündanleitung

- Prüfen Sie, ob der Feuertisch stabil und fest aufgestellt ist.
- Vergewissern Sie sich, dass der Feuertisch an eine gefüllte Gasflasche angeschlossen ist und dass eine volle Batterie in die Zündung eingelegt ist. Drücken Sie den kleinen schwarzen Knopf (Zündknopf) ganz durch, bis Sie ein leises Ticken hören - das ist die Piezozündung. Wenn Sie beim Drücken des Zündknopfs nichts hören, muss wahrscheinlich die Batterie ausgetauscht werden. Halten Sie dann den Zündknopf gedrückt und öffnen Sie die Gaszufuhr, indem Sie den großen Knopf (Gaszufuhr) auf „HIGH“ drehen. Der Brenner sollte nun innerhalb von 15 Sekunden zünden. Wenn der Brenner vollständig brennt, halten Sie den Drehknopf für weitere 15 Sekunden gedrückt. Die Flamme brennt nun weiter. Erlischt die Flamme? Versuchen Sie es dann erneut und halten Sie den Gaszufuhrknopf noch länger gedrückt.
- Wenn der Brenner immer noch nicht weiter brennt, wenden Sie sich an die Verkaufsstelle, bei der Sie das Gerät gekauft haben.

### 5.2. Erste Verwendung



**Achtung!** Verwenden Sie den Feuertisch zum ersten Mal? Stellen Sie dann sicher, dass das Gerät 15 Minuten lang auf der höchsten Stufe eingeschaltet ist. Auf diese Weise werden die Lavasteine gut erhitzt und es wird sichergestellt, dass alle Unebenheiten oder Luftblasen aus den Lavasteinen beseitigt werden. Halten Sie während des ersten Brennvorgangs und nachdem die Lavasteine feucht geworden sind (z.B. durch Regen) einen **Mindestabstand von zwei Metern** zum Brenner ein und stellen Sie sicher, dass sich in diesem **Radius von zwei Metern** keine brennbaren Materialien um oder auf dem Tisch befinden. Da die Luftblasen aus den Lavasteinen herausgebrannt werden, können die Steine beim ersten Mal aufspringen und möglicherweise aus dem Brenner geraten.

Möchten Sie die Lavasteine nach dem Gebrauch aufräumen oder verlegen? Achten Sie dann **immer** darauf, dass sie vollständig abgekühlt sind!

Die Lavasteine können mit der Zeit schwarz werden. Das liegt an der Rußbildung, die bei Geräten, die eine gelbe Flamme erzeugen, immer auftritt. Sie können diese Rußbildung entfernen, indem Sie die Lavasteine mit einem Aschesauger sauber blasen/absaugen. Sie können den Ruß auch mit einer trockenen Bürste abbürsten.

### 5.3. Ausschalten des Feuertisches

- Möchten Sie den Feuertisch ausschalten? Drehen Sie den Drehknopf ganz auf „OFF“, sodass die Flamme erlischt. Wenn die Flamme vollständig erloschen ist, drehen Sie den Gashahn an der Gasflasche zu.
- Lassen Sie den Feuertisch und die Lavasteine vollständig abkühlen, bevor Sie die Abdeckplatte auf den Brenner legen.

#### 5.4. Bewegen des Geräts

Die Cosipillar wird mit vier Rädern geliefert. Mit diesen Rädern können Sie den Cosipillar ganz einfach an einen anderen Ort bewegen. So können Sie den Cosipillar an verschiedenen Orten in Ihrem Garten oder auf Ihrer Terrasse genießen. Schritt 4.1 zeigt, wie die Räder montiert werden können.

**Hinweis:** Wenn Sie den Cosipillar bewegen wollen, stellen Sie sicher, dass der Cosipillar abgekoppelt und vollständig abgekühlt ist. Lösen Sie die Bremse an den Rädern und schieben oder ziehen Sie das Gehäuse des Cosipillar, um es zu bewegen. **Hinweis:** Wenn Sie die Säule verschieben wollen, dürfen Sie nicht am Glas heben oder dagegen drücken; dieses sitzt lose auf dem Gerät. Seien Sie vorsichtig; der Cosipillar könnte umfallen, wenn Sie zu viel Kraft aufwenden. Befindet sich der Cosipillar jetzt in der gewünschten Position? Aktivieren Sie dann die Bremse an den Rädern, bevor Sie den Cosipillar benutzen.

#### 5.5. Austausch des Gasschlauchs und Gasdruckreglers

Die Lebensdauer eines Propangasschlauchs beträgt 5 bis 10 Jahre. Es wird empfohlen, den Gasschlauch und den Gasdruckregler alle 5 Jahre zu ersetzen. Prüfen Sie das Gerät nach dem Austausch des Gasdruckreglers und des Gasschlauchs sowie bei jedem Gebrauch auf Gaslecks. Dies können Sie folgendermaßen tun:

- Öffnen Sie die Gasflasche, aber schalten Sie das Gerät **nicht** ein (der Drehknopf bleibt auf OFF)!
- Stellen Sie eine Lösung aus einer Hälfte Reinigungsmittel und einer Hälfte Wasser her und tragen Sie sie auf alle Verbindungen und den Gasschlauch auf. Wenn ein Gasleck in den Verbindungen oder Schläuchen vorhanden ist, bilden sich Luftblasen.
- Wenn Luftblasen sichtbar werden und somit ein Gasleck vorliegt, schließen Sie sofort das Gasventil der Gasflasche. Tauschen Sie den Schlauch oder den Gasdruckregler gegen einen neuen aus und führen Sie die oben beschriebene Prüfung erneut durch. Zünden Sie das Gerät erst, wenn keine Blasen mehr zu sehen sind.
- Sollte das Problem weiterhin bestehen, wenden Sie sich an einen autorisierten Gasinstallateur.

Tauschen Sie den Gasschlauch und/oder den Gasdruckregler aus? Bringen Sie sie dann genau so an, wie sie ursprünglich montiert wurden. Der Gasschlauch darf maximal 2,5 Meter lang sein. Unter Punkt „6. Technische Daten“ finden Sie die technischen Daten des Gasdruckreglers. Wenden Sie sich im Zweifelsfall immer an einen autorisierten Gasinstallateur.

#### 5.6. Was tun, wenn etwas schief geht?

Natürlich tun wir alles, um ein sicheres Produkt herzustellen. Befolgen Sie daher stets die Anweisungen und Hinweise in dieser Betriebsanleitung:



##### *Löschanleitung Cosi Feuertische*

Es ist wichtig, dass Sie die Gaszufuhr so schnell wie möglich stoppen, wenn etwas schief läuft. Drehen Sie den Drehknopf sofort auf „OFF“, um die Gaszufuhr zu stoppen und schließen Sie die Gasflasche. In den meisten Fällen erlischt die Flamme sofort.

Sollte der Gasschlauch ein Gasleck haben, das die Flamme nicht zum Erlöschen bringt, kann die Flamme mit einer Löschdecke oder einem Pulverlöscher gelöscht werden. Mit der Löschdecke können Sie den Brand frühzeitig löschen. Darüber hinaus eignet sich ein Pulverlöscher zum Löschen von Propan-/Butangasbränden. Löschen Sie **niemals** mit einem anderen Feuerlöscher.

## 6. Technische Daten

<b>Cosipillar Curved</b>	
Typ/Kat.:	Mobiles Heizgerät für den Außenbereich
Gasart und entsprechender Gasdruck:	Butan / Propan I3B/P(30) 28-30 mbar (NL, UAE, LU, NO, SE, DK, FI, CZ, GR, LU, TR, UA, PL) I3+(28-30/37) - Propan 37 mbar – Butan 28-30 mbar (BE, LU, FR, GB, ES, CZ, PT, GR, LT, CH, IT, ES, IS) Propan / Butan: I3B/P(50) - 50 mbar (DE, AT, CH)
Heizleistung:	4 kW / 4 kW / 5 kW
Gasverbrauch:	(291 g/h) / (G30: 291 g/h, G31: 286 g/h) / (364 g/h)
Hergestellt in:	China

### 6.1. Welche Gasflasche verwenden Sie im Cosipillar?

Im Folgenden ist aufgeführt, welche Gasflaschengröße Sie verwenden können. Der Feuertisch wurde ausgiebig mit Propangasflaschen getestet. Verwenden Sie daher immer eine Propangasflasche. Die Verwendung einer anderen Gasflasche/eines anderen Brennstoffs kann zu einem anderen Brandverhalten führen oder im schlimmsten Fall größere Schäden an Menschen, Haustieren oder Materialien verursachen. Sie sind sich nicht sicher, welche Gasflasche Sie verwenden sollen? Wenden Sie sich in diesem Fall immer an den Cosi-Helpdesk oder einen anerkannten Gasfachmann.

Der maximale Gasflaschendurchmesser beträgt 320 mm und die maximale Höhe inkl. Gasdruckregler 520 mm.

Der Cosipillar Curved gehört zur Kollektion von Cosi.

Cosi ist eine Marke von Gimeg Nederland B.V.

Alle Cosi-Gaskamine wurden von KIWA / GASTEC Niederlande getestet und zertifiziert und tragen das CE- und UKCA-Gütesiegel.

### 6.2. Garantie Feuertisch

Gimeg Nederland B.V. gewährt eine zweijährige Garantie auf das gastechnische System des Feuertisches. Bei unsachgemäßem Gebrauch oder falscher Installation dieses Produkts wird keine Garantie gewährt. Der Cosipillar Curved ist aus Aluminium gefertigt. Seien Sie immer vorsichtig mit dem Feuertisch, er kann beschädigt werden, wenn er bewegt wird. Haben Sie Fragen, die in dieser Betriebsanleitung nicht behandelt werden? Vielleicht finden Sie die Informationen, nach denen Sie suchen, auf unserer Website. Besuchen Sie unsere Website, indem Sie den QR-Code scannen oder gehen Sie auf [www.cosi-fires.com](http://www.cosi-fires.com).



Darüber hinaus können Sie Gimeg Nederland B.V. über die unten stehenden Kontaktdaten erreichen:

Gimeg Nederland B.V.

Atoomweg 99

3542 AA Utrecht

Niederlande

+31(0)306629500

[info@cosi-fires.com](mailto:info@cosi-fires.com)

## 1. Introduction

Félicitations pour l'achat de votre Cosipillar Curved. Nous espérons que vous apprécierez votre table à feu et nous vous remercions de partager des photos de votre produit chez vous et de nous taguer sur Facebook (@cosifires) et Instagram (@cosi\_fires) !



Pour la FAQ et les conseils d'entretien, consultez notre site web en scannant le code QR ou allez sur [www.cosi-fires.com](http://www.cosi-fires.com).

## 2. Instructions de sécurité

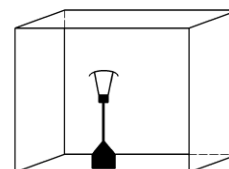


**AVERTISSEMENT** : veuillez toujours à ce que les instructions (de sécurité) de ce mode d'emploi soient suivies à la lettre pour éviter tout risque d'incendie, d'explosion, d'autres dommages aux personnes et aux objets et/ou de perte de vie. Lisez attentivement ces instructions de montage et ces consignes de sécurité avant d'installer l'appareil et de le mettre en service.

1. La table à feu doit toujours être montée correctement, conformément aux instructions de montage fournies.
2. N'apportez jamais de modifications au système technique du gaz de cet appareil. Toute modification du système peut être dangereuse et annulera toute garantie de l'appareil.
3. Une installation, des réglages ou modifications incorrects de l'appareil peuvent entraîner des blessures ou des dommages matériels.
4. En cas d'utilisation inappropriée ou de non-respect des consignes de sécurité, toute responsabilité est déclinée et la garantie ne s'applique pas.
5. Cet appareil doit être utilisé conformément à la réglementation en vigueur. La bouteille de gaz doit également être stockée conformément à ces réglementations.
6. Si à tout moment vous sentez une odeur de gaz : fermez immédiatement l'alimentation en gaz de la table à feu, éteignez toutes les flammes nues à proximité de la table et ne remettez pas la table à feu en marche. Vous continuez à sentir une odeur de gaz ? Éloignez-vous de la table à feu et appelez à distance un spécialiste technique du gaz.
7. La table à feu doit être placée bien droite sur une surface dure et stable.
8. La table à feu ne peut être utilisée qu'avec des bouteilles de gaz propane. N'utilisez jamais un carburant autre que celui décrit dans ce manuel. Voir le point 6. « Données techniques » pour plus d'informations.
9. Placez toujours la bouteille de gaz en position verticale. La bouteille de gaz ne doit jamais être placée en position couchée ou inclinée dans l'appareil.
10. Maintenez la zone autour de l'appareil exempte de liquides, matériaux, combustibles et vapeurs inflammables, à au moins 2 mètres.
11. Avant chaque utilisation, vérifiez que le raccordement du tuyau de gaz au brûleur, le régulateur de pression de gaz sur le tuyau de gaz et le régulateur de pression de gaz sur la bouteille de gaz soient bien fixés et non desserrés. Lorsque vous vérifiez les connexions, assurez-vous toujours que le robinet de gaz de la bouteille de gaz est fermé. Si les connecteurs sont desserrés, resserrez-les toujours avant d'utiliser l'appareil.
12. Remplacez la bouteille de gaz à l'extérieur, loin de toute source d'inflammation (bougies, cigarettes, autres dispositifs produisant des flammes).
13. À chaque fois que le raccordement au gaz est rebranché et avant chaque utilisation, il faut vérifier l'étanchéité des raccords mentionnés au point 11 et du tuyau de gaz lui-même. Le tuyau de gaz et le régulateur de pression de gaz doivent être remplacés dans les intervalles prescrits (voir point 5.5.).
14. Le tuyau de gaz ne doit jamais entrer en contact avec la surface chaude du brûleur. Veillez à ce que le tuyau soit toujours plié directement vers le bas en direction de la bouteille de gaz et ne touche pas la surface du brûleur.
15. Le tuyau de gaz doit être conforme aux lois et réglementations nationales en vigueur (EN16436). Le tuyau est connecté au régulateur de pression de gaz fourni. Ne raccordez jamais la bouteille de gaz directement à l'appareil sans un régulateur de pression de gaz.
16. Le régulateur de pression de gaz est réglé sur 28-30 mbars, 37 mbars ou 50 mbars et la pression de sortie du régulateur de pression de gaz est de 28-30 mbars, 37 mbars ou 50 mbars. Le régulateur de pression de gaz doit être réglé en fonction de la catégorie de gaz spécifique à chaque pays, voir le tableau au point 6. « Données techniques ». Le régulateur de pression de gaz doit être conforme à la norme EN16129.



17. Ne modifiez jamais les réglages de la vanne d'air du brûleur. Si les orifices d'aération de la couronne du brûleur sont bloqués/obstrués, faites immédiatement appel à un spécialiste technique du gaz.
18. N'entravez jamais la libre circulation de l'air et de l'oxygène vers l'appareil.
19. L'injecteur de cet appareil ne doit pas être retiré et l'injecteur ne doit être installé et/ou remplacé que par un spécialiste.
20. Cet appareil n'est pas autorisé à passer d'une pression de gaz à une autre pression de gaz. Utilisez toujours le régulateur de pression de gaz prescrit (voir 6. « Données techniques »).
21. Cet appareil a une flamme nue, veillez toujours à ce que les enfants et les animaux Curvedstiques soient surveillés par un adulte et une personne responsable pendant le fonctionnement. La table à feu ne doit pas être utilisée par des enfants.
22. **AVERTISSEMENT** : maintenez les enfants et les animaux Curvedstiques à une distance suffisante de l'appareil. Le brûleur Cosi comporte des pièces qui deviennent très chaudes pendant son utilisation ! Après utilisation, attendez que l'appareil ait suffisamment refroidi avant de laisser les enfants et les animaux Curvedstiques s'approcher de l'appareil. Il est recommandé d'attendre au moins 1h30.
23. Ne déplacez jamais l'appareil lorsqu'il est en cours d'utilisation. Attendez au moins 1h30 après utilisation avant de déplacer l'appareil. Fermez toujours le robinet de gaz de la bouteille de gaz avant de déplacer l'appareil.
24. Ne laissez jamais la flamme nue sans surveillance pendant son utilisation.
25. Ne touchez pas les pierres de lave avant qu'elles n'aient complètement refroidi.
26. Après utilisation, coupez toujours l'alimentation de gaz sur le brûleur et fermez toujours le robinet de gaz sur la bouteille de gaz.
27. Attendez au moins deux heures après avoir éteint la table à feu avant de placer une quelconque couverture de protection.
28. N'utilisez pas la table à feu en cas de vent fort ou d'orage.
29. La table à feu doit toujours être utilisée à l'extérieur ou dans des zones très bien ventilées. Il peut s'agir de jardins d'hiver ou de vérandas, par exemple. Une pièce bien ventilée doit avoir au moins 25 % de sa surface en contact direct avec l'air extérieur. La surface est la somme des murs de la pièce. Voir l'image à droite pour plus de précisions.
30. N'utilisez jamais la table à feu dans un bâtiment, une maison, un garage ou tout autre endroit fermé.
31. Le mode d'emploi et les instructions de montage doivent être conservés avec le foyer à gaz. En cas de vente à des tiers, ces documents doivent être inclus.
32. La consommation d'alcool, de drogues et de certains médicaments peut affecter la capacité à assembler correctement ou à utiliser en toute sécurité la table à feu.
33. Ne placez pas et ne brûlez pas d'objets ou de combustibles dans le feu de la table à feu.
34. Faites très attention lorsque vous portez des vêtements inflammables en allumant et en vous asseyant près de la table à feu.
35. Ne suspendez rien au-dessus du brûleur lorsque vous allumez la table à feu.
36. Ne vous asseyez pas et/ou ne vous tenez pas debout sur la table à feu, surtout lorsque vous l'utilisez.
37. Ne débranchez pas la bouteille de gaz ou les raccords lorsque la table à feu est utilisée.
38. Ne placez pas la table à feu sous des objets suspendus.
39. Assurez-vous d'avoir une couverture anti-feu et un extincteur à poudre à la maison avant d'utiliser l'appareil. En cas d'incendie, placez immédiatement la couverture anti-feu sur le feu et assurez-vous que les flammes ne sont pas exposées à l'oxygène. La meilleure façon d'éteindre est d'utiliser un extincteur à poudre. N'utilisez jamais d'extincteurs à eau ou à mousse pour les incendies de carburant.
40. Les bouteilles de gaz doivent être stockées à l'extérieur ou dans des zones bien ventilées, conformément à la réglementation en vigueur. Gardez les bouteilles de gaz hors de portée des enfants.
41. Il est préférable de ranger la table à feu dans un garage ou une pièce bien ventilée. Ne rangez la table à feu que lorsqu'elle est débranchée de la bouteille de gaz.
42. La table à feu n'est pas approuvée comme appareil de cuisson et ne doit donc pas être utilisée ainsi.
43. Pour obtenir de l'aide ou des informations supplémentaires, contactez un technicien agréé, le service d'assistance Cosi ou l'adresse d'achat.

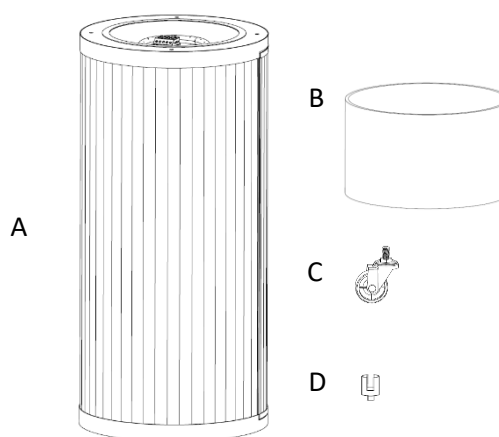


### 3. Contenu de l'emballage

Le Cosipillar Curved est livré avec les éléments suivants :

Contenu de l'emballage :

- A. Cosipillar Curved
- B. Verre
- C. 4x roues
- D. 4x pièce de connexion
- E. 1x boîte de pierres de lave
- F. Pile AAA



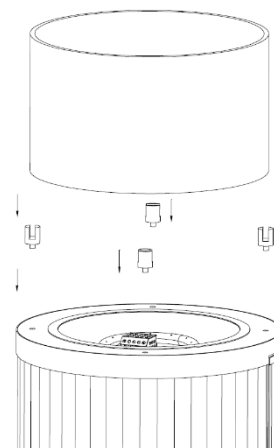
Il vous suffit de vous procurer une bouteille de gaz propane. Vous pouvez vous la procurer auprès de votre fournisseur de gaz local. Vous trouverez de plus amples informations sur les dimensions maximales de la bouteille de gaz au point 6. « Données techniques ».

### 4. Instructions de montage

#### 4.1. Placement de la table à feu

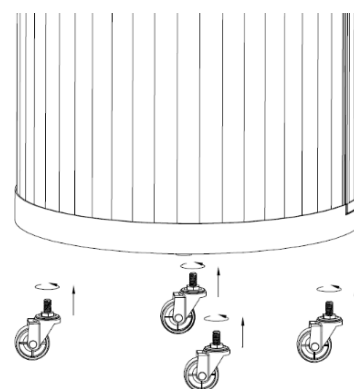
Suivez les étapes ci-dessous pour monter correctement la table à feu. **Attention** : assurez-vous que le brûleur ne soit pas encore connecté à une bouteille de gaz pendant que vous effectuez les étapes suivantes !

1. Retirez soigneusement les pièces de l'emballage et vérifiez que tout est présent à l'aide de l'aperçu ci-dessus.
2. Choisissez l'emplacement où vous souhaitez placer la table à feu. Assurez-vous que la table à feu se trouve sur une surface dure (de préférence en pierre). La surface doit être parfaitement plane et propre. La table à feu doit en outre être placée à au moins deux mètres des matériaux et liquides inflammables.
3. La table à feu est livrée avec des pieds réglables en dessous. Si la table à feu repose sur une surface qui n'est pas tout à fait de niveau, vous pouvez utiliser les pieds réglables pour la mettre à niveau.
4. Placez les quatre pièces de connexion (D) dans les quatre trous situés sur la partie supérieure du pilier. Placez ensuite le verre (B) dans les cavités des quatre pièces de connexion.



Tu souhaites faciliter le déplacement du Cosipillar ? Dans ce cas, tu peux remplacer les pieds réglables par les roues (C) fournies séparément. Pour ce faire, procède comme suit :

- Assurez-vous que le Cosipillar n'est pas connecté à une bouteille de gaz, qu'une bouteille de gaz ne se trouve pas à l'intérieur du modèle et que le verre et les pierres de lave ont été enlevés.
- Demande à une deuxième personne d'incliner légèrement le Cosipillar avec précaution, de manière à ce que les deux pieds réglables soient facilement accessibles d'un côté. **Attention** : la partie supérieure du Cosipillar est lâche, ne l'incline donc pas par le haut. Il est préférable de tenir la structure du Cosipillar.
- Pendant que le Cosipillar est incliné, dévissez les pieds de la partie inférieure du modèle et remplacez-les par les roues (C). Inclinez ensuite le Cosipillar de l'autre côté, afin de dévisser les deux autres pieds et de visser les deux roues restantes sur le modèle. Nous te conseillons de placer les roues munies d'un frein en diagonale et non pas l'une à côté de l'autre.

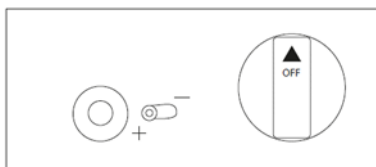


## 4.2. Préparation à l'utilisation

### 4.2.1. Placer ou remplacer la pile

La table à feu est dotée d'un allumage piézoélectrique qui fonctionne avec une pile AAA. Vous pouvez insérer ou remplacer la batterie comme suit :

- Assurez-vous que la table à feu et les pierres de lave ont complètement refroidi.
- Assurez-vous que la table à feu ne soit pas (plus) raccordée à une bouteille de gaz.
- À côté du bouton de commande il y a un bouton noir plus petit sur le panneau de commande. C'est l'allumage et il inclut la pile.
- Vous pouvez maintenant tourner le contact noir vers la gauche et insérer la batterie dans le contact, en faisant bien attention au côté +/- . Puis refermez le contact.



- Après une utilisation fréquente, la pile peut se décharger. Vous avez remplacé la batterie ? Rapportez ensuite la batterie vide à un point de collecte.

### 4.2.2. Placer les pierres de lave

Une fois que vous avez placé la table à feu correctement, vous pouvez placer les pierres de lave dans le brûleur. Des pierres de lave sont fournies avec chaque table à feu. Ramassez les pierres de lave sans gravier à la main, sinon les trous du brûleur risquent de se boucher. Placez délicatement les pierres de lave dans et sur le brûleur. Faites en sorte que l'unité d'allumage soit exempte de pierres de lave.



Si vous voulez nettoyer ou déplacer les pierres de lave après l'avoir utilisé, veillez à ce que les pierres de lave soient toujours complètement refroidis !

### 4.2.3. Placer ou remplacer la bouteille de gaz

Vous avez acheté une bouteille de gaz aux dimensions adéquates (voir point 6. « Données techniques ») ? Vous pouvez alors connecter le régulateur de pression de gaz du brûleur à la bouteille de gaz. Procédez de la manière suivante : montez le régulateur de pression de gaz sur la bouteille de gaz. Serrez l'écrou du régulateur de pression de gaz à la main, n'utilisez pas d'autres outils.

Vous pouvez ensuite placer la bouteille de gaz dans l'unité de bouteille de gaz dans la table à feu. Toutefois, cela n'est pas obligatoire. Vous pouvez également choisir de placer la bouteille de gaz à l'extérieur de l'appareil.

- Placer la bouteille de gaz dans l'appareil
  1. L'un des côtés du Cosipillar est équipé d'une bouteille de gaz. Place toujours la bouteille de gaz à la verticale sur le cadre en acier. La bouteille de gaz **ne doit jamais être placée en position** couchée ou inclinée dans l'appareil. Tu peux utiliser la sangle noire pour fixer la bouteille contre la paroi latérale. Tu réduis ainsi le risque de renversement de la bouteille de gaz.
  2. Assurez-vous que la bouteille de gaz soit connectée au régulateur de pression de gaz fourni et ouvrez la bouteille de gaz lorsque vous voulez utiliser la table à feu.
  3. Veillez à ce que le tuyau de gaz soit toujours plié vers le bas, en direction de la bouteille de gaz. Veillez à ce que le tuyau de gaz ne soit jamais pressé contre les surfaces chaudes de l'appareil.
  4. Vous n'utilisez pas la table à feu ? Fermez toujours l'arrivée de gaz sur le brûleur et le robinet de gaz sur la bouteille de gaz.
- Placer la bouteille de gaz hors de l'appareil

Vous ne voulez pas placer la bouteille de gaz dans le modèle, par exemple parce que vous utilisez une bouteille de gaz d'une capacité supérieure à celle prescrite ? Vous pouvez alors placer la bouteille de gaz à l'extérieur du modèle. Faites-le comme suit :

  1. Le tuyau de gaz peut être guidé à l'extérieur du Cosipillar en le guidant sous la base du Cosipillar ou en le guidant à travers la porte (ce qui signifie que la porte ne se fermera pas).
  2. Le tuyau de gaz fourni a une longueur de 1,5 m. Placez par conséquent la bouteille de gaz à une distance maximale d'un mètre de la table à feu. Il n'est pas possible de placer le tuyau de gaz ouvert au-dessus de la terrasse. Les personnes ou les animaux Curvedstiques peuvent chuter sur

le tuyau de gaz. Par conséquent, placez toujours la bouteille de gaz dans un endroit où les personnes ne peuvent pas marcher et où les enfants et les animaux Curvedstiques ne peuvent pas l'atteindre.

3. Assurez-vous que la bouteille de gaz soit connectée au régulateur de pression de gaz fourni et ouvrez la bouteille de gaz lorsque vous voulez utiliser la table à feu.
4. Vous n'utilisez pas la table à feu ? Fermez toujours l'arrivée de gaz sur le brûleur et le robinet de gaz sur la bouteille de gaz.

La bouteille de gaz est vide et vous devez la remplacer ? Veillez à ce que le robinet de gaz soit fermé à tout moment et fermez le régulateur de pression de gaz de la bouteille de gaz à la main. En outre, assurez-vous que le modèle et les pierres de lave aient complètement refroidi ! Retirez l'ancienne bouteille et, si nécessaire, raccordez immédiatement la nouvelle bouteille de gaz au régulateur de pression du gaz, en suivant la description ci-dessus. Vous pouvez échanger la bouteille vide ou la faire remplir chez votre fournisseur de gaz local. Après avoir installé une nouvelle bouteille, vérifiez **toujours** l'étanchéité de tous les raccords de gaz (voir point 5.5.).

## 5. Mode d'emploi

### 5.1. Instructions avant l'allumage

- Vérifiez que la table à feu soit stable et sûre.
- Assurez-vous que la table à feu soit raccordée à une bouteille de gaz remplie et que la pile du dispositif d'allumage soit pleine. Appuyez à fond sur le petit bouton noir (bouton d'allumage) jusqu'à ce que vous entendiez un léger tic-tac, c'est l'allumage piézoélectrique. Si vous n'entendez rien lorsque vous appuyez sur le bouton d'allumage, vous devez probablement remplacer la pile. Maintenez ensuite le bouton d'allumage enfoncé tout en ouvrant l'alimentation en gaz en tournant le gros bouton (alimentation en gaz) sur « HIGH ». Le brûleur devrait maintenant s'allumer dans les 15 secondes. Lorsque le brûleur donne une flamme complète, maintenez le bouton de commande enfoncé pendant 15 secondes supplémentaires. La flamme va maintenant continuer à brûler. Mais si la flamme s'éteint, réessayez en maintenant le bouton d'alimentation en gaz enfoncé encore plus longtemps.
- Si le brûleur ne fonctionne toujours pas, contactez l'adresse d'achat.

### 5.2. Première utilisation



**Attention !** Vous comptez utiliser la table à feu pour la première fois ? Veillez alors à la mettre en marche au réglage le plus élevé pendant 15 minutes. De cette façon, les pierres de lave sont bien chauffées et ainsi, les éventuelles bosses ou bulles d'air disparaissent des pierres de lave. Lors de la première cuisson, et après que les pierres de lave ont été mouillées (par la pluie, par exemple), tenez-vous à **au moins deux mètres** du brûleur et veillez à ce qu'aucun matériau inflammable ne soit placé sur ou autour de la table dans ce **rayon de deux mètres**. Comme les bulles d'air sont brûlées des pierres de lave, les pierres peuvent sauter la première fois et éventuellement sortir du brûleur.

Vous souhaitez nettoyer ou déplacer les pierres de lave après utilisation ? Veillez toujours à ce qu'elles aient complètement refroidi !

Les pierres de lave peuvent finir par devenir noires. C'est dû à la formation de suie, qui se produit toujours avec les appareils qui produisent une flamme jaune. Vous pouvez éliminer cette formation de suie en soufflant / aspirant les pierres de lave à l'aide d'un aspirateur à cendres. On peut aussi enlever la suie à l'aide d'une brosse sèche.

### 5.3. Éteindre la table à feu

- Vous voulez éteindre la table à feu ? Tournez le bouton de commande à fond sur « ARRÊT » pour que la flamme s'éteigne. Si la flamme est complètement éteinte, fermez le robinet de gaz de la bouteille de gaz.
- Laissez la table à feu et les pierres de lave refroidir complètement avant de placer la plaque de recouvrement sur le brûleur.

### 5.4. Déplacer l'appareil

Le Cosipillar est livré avec quatre roues. Ces roues peuvent être utilisées pour déplacer facilement le Cosipillar vers un autre endroit, ce qui tu permets de profiter du pilier à différents endroits de ton jardin ou de ta terrasse. L'étape 4.1 montre comment monter les roues.

**Remarque** : si tu souhaites déplacer le Cosipillar, assure-toi qu'il ait été débranché et qu'il a complètement refroidi. Desserre le frein des roues et pousse ou tire la structure du Cosipillar pour le déplacer. **Remarque** : si vous souhaitez déplacer le pilier, ne soulevez pas le verre et ne le poussez pas, car il repose librement sur le dessus de l'appareil. Sois prudent ; le Cosipillar pourrait se renverser si tu exerces une trop grande force. Le Cosipillar est-il maintenant dans la position souhaitée ? Active alors le frein des roues avant d'utiliser le Cosipillar.

### 5.5. Remplacer le tuyau de gaz et le régulateur de pression de gaz

La durée de vie d'un tuyau de gaz propane est de 5 à 10 ans. Il est recommandé de remplacer le tuyau de gaz et le régulateur de pression de gaz une fois tous les 5 ans. Vérifiez que l'appareil ne présente pas de fuites de gaz après avoir remplacé le régulateur de pression de gaz et le tuyau de gaz et chaque fois que vous l'utilisez. Vous pouvez procéder comme suit :

- Ouvrez la bouteille de gaz, mais n'allumez pas l'appareil (le bouton de commande reste sur « OFF ») !
- Préparez une solution composée pour moitié de détergent et pour moitié d'eau et appliquez-la sur tous les raccords et sur le tuyau de gaz. S'il y a une fuite de gaz dans les raccords ou le tuyau, des bulles d'air se formeront.
- Si des bulles d'air deviennent visibles et qu'il y a donc une fuite de gaz, fermez immédiatement le robinet de gaz de la bouteille de gaz. Remplacez le tuyau ou le régulateur de pression de gaz par un nouveau et effectuez à nouveau le contrôle. Allumez l'appareil uniquement lorsque vous ne détectez plus de bulles.
- Si le problème persiste, contactez un installateur de gaz agréé.

Vous remplacez le tuyau de gaz et/ou le régulateur de pression de gaz ? Remontez-les alors exactement de la même manière que vous les avez montés. Le tuyau de gaz doit avoir une longueur maximale de 2,5 mètres. Au point 6. « Données techniques », vous trouverez les spécifications techniques du régulateur de pression de gaz. En cas de doute, consultez toujours un installateur de gaz agréé.

### 5.6. Que faire en cas de problème ?

Nous faisons bien sûr tout notre possible pour fabriquer un produit sûr. Par conséquent, veuillez suivre les instructions et les directives de ce mode d'emploi à tout moment :



#### *Instructions d'extinction tables à feu Cosi*

Il importe d'arrêter l'alimentation en gaz le plus rapidement possible en cas de problème. Tournez immédiatement le bouton de commande sur ARRÊT pour arrêter l'alimentation en gaz et fermez la bouteille de gaz. Dans la plupart des cas, la flamme s'éteint immédiatement.

En cas de fuite de gaz dans le tuyau de gaz qui n'éteint pas la flamme, celle-ci peut être éteinte avec une couverture anti-feu ou un extincteur à poudre. Avec la couverture anti-feu, vous pouvez éteindre le feu à un stade précoce. En outre, un extincteur à poudre convient pour éteindre les feux de gaz propane/butane. Ne jamais éteindre avec un autre type d'extincteur.

## 6. Données techniques

<b>Cosipillar Curved</b>	
Type/ Cat.:	Appareil de chauffage portable pour l'extérieur
Type de gaz et pression de gaz correspondante :	Butane / Propane I3B/P(30) 28-30 mbars (NL, UAE, LU, NO, SE, DK, FI, CZ, GR, LU, TR, UA, PL) I3+(28-30/37) - Propane 37 mbar – Butane 28-30 mbars (BE, LU, FR, GB, ES, CZ, PT, GR, LT, CH, IT, ES, IS) Propane / Butane: I3B/P(50) - 50 mbars (DE, AT, CH)
Puissance calorifique :	4 kW / 4 kW / 5 kW
Consommation de gaz :	(291 g/h) / (G30: 291 g/h, G31: 286 g/h) / (364 g/h)
Fabriqué en :	Chine

### 6.1. Quelle bouteille de gaz utiliser dans la table à feu ?

Vous trouverez ci-dessous la liste des dimensions des bouteilles de gaz que vous pouvez utiliser. La table à feu a été testée de manière très poussée avec des bouteilles de gaz propane. Par conséquent, utilisez toujours une bouteille de gaz propane. L'utilisation d'une autre bouteille de gaz/combustible peut produire un comportement différent du feu ou, dans le pire des cas, causer de graves dommages aux personnes, aux animaux Curvedstiques ou aux matériaux. Vous avez un doute sur la bouteille de gaz à utiliser ? Contactez toujours le service d'assistance Cosi ou un spécialiste du gaz agréé.

Le diamètre maximal de la bouteille de gaz est de 320 mm et la hauteur maximale, y compris le régulateur de pression de gaz, est de 520 mm.

Le Cosipillar Curved fait partie de la collection de Cosi.  
Cosi est une marque de Gimeg Nederland B.V.

Tous les foyers au gaz Cosi sont testés et certifiés par KIWA / GASTEC Pays-Bas et portent la marque de qualité CE et UKCA.

### 6.2. Garantie table à feu

Gimeg Nederland B.V. offre une garantie de deux ans sur le système technique de gaz de la table à feu. Aucune garantie n'est accordée en cas de mauvaise utilisation ou d'installation incorrecte de ce produit. Le Cosipillar Curved est fabriqué en aluminium. Faites toujours attention à la table à feu, lorsque vous déplacez l'appareil, vous risquez de l'endommager. Vous avez des questions qui ne sont pas abordées dans ce manuel ? Vous trouverez peut-être les informations que vous recherchez sur notre site web. Visitez notre site web en scannant le code QR ou allez à [www.cosi-fires.com](http://www.cosi-fires.com).



Vous pouvez en outre contacter Gimeg Nederland B.V. en utilisant les coordonnées suivantes :

Gimeg Nederland B.V.  
Atoomweg 99  
3542 AA Utrecht  
Pays-Bas  
+31(0)306629500  
[info@cosi-fires.com](mailto:info@cosi-fires.com)

## 1. Introducción

Felicidades por la compra de tu Cosipillar Curved. Esperamos que disfrutes mucho del pozo de fuego y nos encantará que compartas fotos del producto cuando lo hayas instalado y ¡nos etiquetes en Facebook (@cosifires) e Instagram (@cosi\_fires)!



Para las preguntas frecuentes y consejos de mantenimiento, visita nuestro sitio web escaneando el código QR o visita [www.cosi-fires.com](http://www.cosi-fires.com).

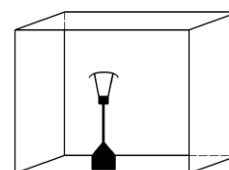
## 2. Instrucciones de seguridad



**AVISO:** Asegúrese de seguir las instrucciones (de seguridad) contenidas en este manual de instrucciones de forma precisa en todo momento para evitar el riesgo de incendio, explosiones, otros daños personales, materiales o incluso letales. Lea con atención las instrucciones de montaje y de seguridad antes de instalar y utilizar el aparato.

1. Para montar el pozo de fuego correctamente siga siempre las instrucciones de montaje adjuntas.
2. No cambie nunca nada del sistema técnico de gas de este aparato. Cualquier modificación del sistema puede ser peligrosa y se perderá la garantía del aparato.
3. Una mala instalación, adaptaciones y modificaciones del aparato podrían provocar lesiones o daños materiales.
4. En el caso de un uso indebido o de no seguir las normas de seguridad rechazaremos cualquier responsabilidad y la garantía perderá su validez.
5. Este aparato se tiene que utilizar de acuerdo con la normativa vigente. La bombona de butano también debe almacenarse de acuerdo con dichas normas.
6. Si huele a gas en cualquier momento, cierre inmediatamente la alimentación de gas del pozo de fuego, apague cualquier llama viva cercana al pozo y no vuelva a encenderlo. ¿Sigue oliendo a gas? Aléjese del pozo de fuego y una vez retirado, llame a un especialista técnico en gas.
7. El pozo de fuego tiene que estar colocado recto sobre una base sólida y estable.
8. El pozo de fuego solo se puede utilizar con bombonas de gas propano. No utilice nunca otro combustible que no sea el que describimos en este manual de instrucciones. Ver punto 6. "Datos técnicos" para obtener más información.
9. Coloque la bombona de gas siempre en posición vertical. La bombona de gas no puede colocarse nunca en el aparato tumbada o inclinada.
10. Retire cualquier líquido, material, combustible y gases inflamables a una distancia mínima de 2 metros del aparato.
11. Controle antes de cada uso que la conexión de la manguera de gas al quemador, el regulador de presión del gas de la manguera y el regulador de presión de la bombona de gas están bien montados y no están sueltos. Asegúrese de cerrar siempre la llave de paso de la bombona de gas antes de controlar las conexiones. Si las conexiones están sueltas, apriételas bien antes de poner el aparato en marcha.
12. Sustituya la bombona de gas al aire libre, lejos de cualquier fuente de ignición (vela, cigarrillos, otros aparatos con llama).
13. Cada vez que conecte el gas y antes de cada uso debe controlar que las conexiones, tal como se indica en el punto 11, y la manguera de gas no sufran pérdidas. La manguera de gas y el regulador de gas deben sustituirse de acuerdo con los plazos reglamentarios (ver punto 5.5.).
14. La manguera de gas no puede tocar nunca la superficie caliente del quemador. Asegúrese de que la manguera siempre va directa hacia abajo en dirección a la bombona de gas y que no toque la superficie del quemador.
15. La manguera de gas debe cumplir con la legislación y normativa nacional vigente (EN16436). La manguera se conecta al regulador de presión de gas adjunto. No conecte la bombona de gas directamente en el aparato sin el regulador de presión de gas.
16. El regulador de presión de gas está ajustado a 28-30 mbar, 37 mbar o 50 mbar y la presión de salida del regulador de presión de gas es de 28-30 mbar, 37 mbar o 50 mbar. El regulador de presión de gas se tiene que ajustar en cada país de acuerdo a la categoría de gas específica; ver en la tabla del punto 6 "Características técnicas". El regulador de presión de gas debe cumplir con la norma EN16129.
17. No modifique nunca la configuración de la válvula de aire del quemador. Si las aperturas de aire del anillo quemador está bloqueadas, póngase inmediatamente en contacto con un especialista técnico de gas.
18. No impida nunca la libre entrada de aire y de oxígeno hacia el aparato.
19. El inyector de este aparato no se puede retirar y únicamente un especialista puede instalarlo o sustituirlo.

20. No se puede cambiar la presión de gas del aparato. Asegúrese de utilizar siempre el regulador de presión de gas prescrito (Consulte el punto 6. "Datos técnicos").
21. Este aparato tiene una llama viva, asegúrese de que mientras esté funcionando los niños y las mascotas estén bajo supervisión de un adulto y persona responsable. Los niños no pueden manejar el pozo de fuego.
22. **AVISO:** Mantenga a los niños y a las mascotas suficientemente alejados del aparato. ¡El quemador Cosi dispone de piezas que pueden calentarse mucho! Después de usarlo espere a que el aparato se enfríe lo suficiente antes de que los niños y las mascotas se acerquen al aparato. Se recomienda esperar un mínimo de 1 hora y media.
23. No traslade nunca el aparato mientras esté en marcha. Espere al menos 1 hora y media antes de trasladar el aparato. Cierre siempre la espita del gas de la bombona antes de trasladar el aparato.
24. No deje nunca sin supervisión el fuego vivo durante su uso.
25. No toque las rocas de lava hasta que se hayan enfriado completamente.
26. Después de usar el aparato, cierre siempre la alimentación de gas del quemador y la espita de gas de la bombona.
27. Espere al menos dos horas después de apagar el pozo de fuego antes de colocar cualquier tipo de funda protectora.
28. No utilice el pozo de fuego si hace mucho viento o hay tormenta.
29. El pozo de fuego se tiene que utilizar siempre al aire libre o en espacios muy bien ventilados. Pueden ser galerías o porches. Un espacio bien ventilado debe tener un mínimo del 25 % de su superficie al aire libre. La superficie es el producto de las paredes del espacio. Mire la imagen explicativa de la derecha.
30. No utilice nunca el pozo de fuego en un edificio, vivienda, garaje o en cualquier otro espacio cerrado.
31. Las instrucciones de uso y de montaje se tienen que guardar junto al aparato. En caso de venderlo a terceros, los documentos deben acompañar al aparato.
32. El uso de alcohol, drogas o ciertos medicamentos puede influir la capacidad de montar correctamente o manejar de forma segura el pozo de fuego.
33. No coloque ni queme **ningún** objeto o combustible en el fuego del pozo.
34. Preste especial atención si lleva ropa inflamable mientras enciendes el pozo de fuego o se encuentra en sus inmediaciones.
35. No se incline sobre el quemador mientras esté encendiendo el pozo de fuego.
36. No se siente o se ponga de pie sobre el pozo de fuego, y mucho menos cuando esté encendido.
37. No desconecte la bombona de gas o las conexiones mientras el pozo esté encendido.
38. No coloque el pozo de fuego bajo objetos colgantes.
39. Asegúrese de tener una manta extintora y un extintor de polvo en casa antes de utilizar el aparato. En caso de incendio, coloque la manta extintora inmediatamente sobre el fuego y asegúrese de que las llamas no estén expuestas al oxígeno. La mejor manera de apagarlo es por medio de un extintor de polvo. No utilice **nunca** agua o extintores de espuma para los fuegos con combustible.
40. Las bombonas de gas se deben almacenar fuera de casa en lugares bien ventilados, de acuerdo con la normativa vigente. Mantenga las bombonas de gas fuera del alcance de los niños.
41. El mejor sitio para guardar el pozo de fuego es un garaje o un espacio bien ventilado. Guarde el pozo de fuego únicamente cuando esté desconectado de la bombona de gas.
42. El pozo de fuego no está homologado para cocinar, y por tanto no se puede utilizar para ese fin.
43. Para obtener ayuda o información complementaria póngase en contacto con un montador autorizado, el servicio de atención al cliente de Cosi o el establecimiento donde lo compró.





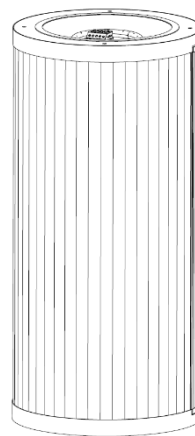
### 3. Contenido

El Cospillar Curved se entrega con los siguientes componentes:

Contenido del paquete:

- A. Cospillar Curved
- B. Vidrio
- C. 4x ruedas
- D. 4x pieza de conexión
- E. 1 caja con rocas de lava
- F. Pila AAA

A



B



C



D



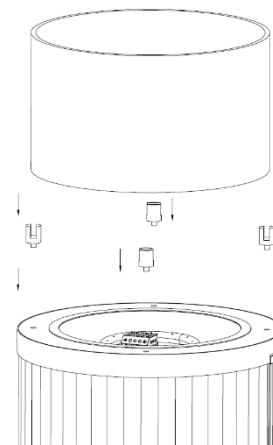
Lo único que debe comprar es una bombona de gas propano. La puede conseguir en su distribuidor de gas local. Puede encontrar más información sobre las medidas máximas de la bombona de gas en el punto 6.1.

### 4. Instrucciones de montaje

#### 4.1. Colocación del pozo de fuego

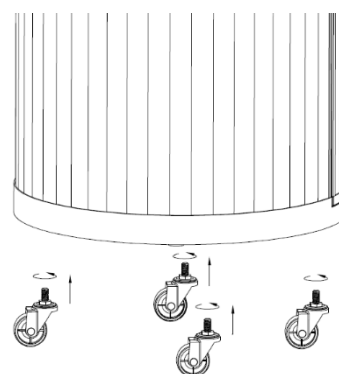
Siga los pasos indicados a continuación para montar correctamente el pozo de fuego. **Atención:** ¡asegúrese de que el quemador todavía no esté conectado a la bombona mientras realiza los pasos siguientes!

1. Saque con cuidado los componentes del paquete y controle que lo tiene todo de acuerdo con el resumen anterior.
2. Escoja la ubicación donde quiere colocar el pozo de fuego. Asegúrese de que esté apoyado en una superficie rígida (idealmente piedras). La superficie tiene que estar completamente plana y limpia. Además, debe colocar el pozo de fuego a una distancia mínima de dos metros de cualquier material o líquidos inflamables.
3. El pozo de fuego viene con patas ajustables. Si está apoyado en una superficie que no sea lisa, por medio de las patas ajustables puede conseguir que esté a nivel.
4. Coloque las cuatro piezas de conexión (D) en los cuatro orificios de la parte superior del pilar. A continuación, coloca el cristal (B) en los huecos de las cuatro piezas conectoras.



¿Te gustaría que el Cospillar fuese más sencillo de mover? Entonces, es posible reemplazar las patas ajustables por las ruedas (C) que se suministran por separado. Esto se puede hacer de la siguiente manera:

- Asegúrate de que el Cospillar no está conectado a una botella de gas; de que no hay una botella de gas dentro del modelo; y de que se han retirado el cristal y las piedras de lava.
- Pídale a una segunda persona que incline con cuidado el Cospillar ligeramente, para poder acceder fácilmente por uno de los laterales a las patas ajustables. **Tenga en cuenta:** la parte superior del Cospillar está suelta, así que no lo incline desde la parte superior. Es mejor sostener la estructura del Cospillar.
- Mientras inclina el Cospillar, desenrosque las patas de la parte inferior del modelo y reemplácelas con las ruedas. A continuación, incline el Cospillar hacia el otro lado, con el fin de desenroscar las otras dos patas y atornillar las dos ruedas (C) restantes en el modelo. Recomendamos colocar las ruedas que tienen un freno en diagonal entre sí, y no inmediatamente una al lado de la otra.



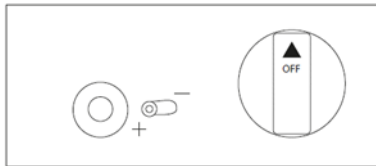
#### 4.2. Preparación para el uso

##### 4.2.1. Colocación o sustitución de la pila

El pozo de fuego tiene un encendedor piezoeléctrico que funciona con una pila AAA. Haga lo siguiente para colocar o sustituir la pila.

- Asegúrese de que el pozo de fuego y las rocas de lava se han enfriado completamente.
- Verifique que el pozo de fuego (ya) no está conectado a una bombona de gas.

- Junto al botón de mando hay un botón negro pequeño sobre el panel de control. Es el encendedor y dentro está la pila.
- Puede abrir el encendedor negro girando a la izquierda y luego colocar la pila en el encendedor; preste atención a los polos positivo y negativo. Cierre el encendedor de nuevo girándolo.



- Con el uso se puede gastar la pila. ¿Ha cambiado la pila? Entregue la pila gastada en el punto de recogida adecuado.

#### 4.2.2. Colocación de las rocas de lava

Cuando hayas colocado bien el pozo de fuego podrás poner en el quemador las rocas de lava. Con cada pozo de fuego se entregan rocas de lava. Coge las rocas de lava sin arena con la mano para evitar que se bloqueen los orificios del quemador. Coloca las rocas de lava con cuidado en y sobre el quemador. Deja el encendedor despejado de rocas de lava.



Si desea volver a pedir un panel vidrio o las rocas de lava, es posible hacerlo a su dirección de compra.

#### 4.2.3. Colocación o sustitución de la bombona de gas

¿Ha comprado una bombona de gas con las medidas correctas (ver punto 6. “Datos técnicos”)? Entonces ya puede conectar el regulador de presión de gas del quemador a la bombona de gas. Lo puede hacer de la siguiente forma: Monte el regulador de presión de gas sobre la bombona. Apriete bien fuerte, con la mano y **no** con otras herramientas, la tuerca del regulador de presión de gas.

Después ya puede colocar la bombona en la unidad de la bombona del pozo de fuego. Aunque esto no es obligatorio. También puede dejar la bombona de gas fuera del aparato.

- Colocación de la bombona de gas en el aparato
  1. El Cosipillar cuenta con una unidad de gas en uno de los laterales. Siempre coloque el cilindro de gas en posición vertical sobre el bastidor de acero. El cilindro de gas **nunca debe** colocarse acostado o inclinado en el dispositivo. Puede utilizar la correa negra para sujetar la bombona contra la pared lateral. Esto reducirá la probabilidad de que el cilindro de gas se vuelque
  2. Verifique que la bombona está conectada al regulador de presión de gas adjunta y abra girando la bombona si va a usar el pozo de fuego.
  3. Compruebe que la manguera de gas esté girada **hacia abajo siempre**, en dirección a la bombona. Verifique que la manguera de gas nunca toque las superficies calientes del aparato.
  4. ¿No va a utilizar el pozo de fuego? Cierre girando la entrada de gas del quemador y la espita de gas de la bombona.
- Colocación de la bombona de gas fuera del aparato

¿Prefiere no colocar la bombona en el aparato, por ejemplo, porque utiliza una bombona de gas más grande que la prescrita? En ese caso puede instalar la bombona de gas fuera del aparato. Lo puede hacer de la siguiente forma:

  1. La tubería de gas se puede sacar del Cosipillar guiándola por debajo de la base o por la puerta (esto significa que la puerta no se podrá cerrar).
  2. La manguera de gas incluida mide 1,5 m de largo. Coloque la bombona por tanto a una distancia máxima de 1 m del pozo de fuego. No es posible dejar la manguera abierta sobre la terraza. Las personas o las mascotas podrían tropezar con ella. Por tanto, coloque siempre la bombona en un lugar donde no se pueda pasar y donde los niños y las mascotas no tengan acceso.
  3. Verifique que la bombona está conectada al regulador de presión de gas adjunta y abra girando la bombona si va a usar el pozo de fuego.
  4. ¿No va a utilizar el pozo de fuego? Cierre girando la entrada de gas del quemador y la espita de gas de la bombona.

¿Se ha vaciado la bombona y tiene que cambiarla? Verifique que la espita de gas está cerrada en todo momento y cierre girando el regulador de presión de gas de la bombona a mano. ¡Asegúrese de que el pozo de fuego y las rocas de lava se hayan enfriado completamente! Retire la bombona antigua y conecta la bombona nueva directamente con el regulador de presión de gas; para ello, utilice la descripción anterior. Puede cambiar la bombona vacía o hacer que se la rellene su proveedor de gas. Después de colocar una bombona nueva, compruebe siempre que no haya fugas en las conexiones de gas (ver punto 5.5.).

## 5. Instrucciones de uso

### 5.1. Instrucciones de encendido

- Controle que el pozo de fuego está bien sólido y estable.
- Verifique que el pozo de fuego esté conectado a una bombona llena y que el encendedor tiene una pila cargada. Pulse el botón negro pequeño (botón de encendido) completamente hasta que oiga un suave tic, que es el encendedor piezoeléctrico. Si no oye nada al pulsar el botón de encendido probablemente tenga que cambiar la pila. Mantenga el botón presionado mientras abre la alimentación de gas con el botón grande (alimentación de gas) girándolo hasta la posición "HIGH". El quemador tendría que encenderse en 15 segundos. Una vez que el quemador tenga una llama completa mantenga el botón de mando pulsado durante otros 15 segundos más. La llama debe seguir ardiendo. ¿Se ha apagado la llama? Pruebe de nuevo y mantenga el botón de alimentación de gas pulsado durante algo más de tiempo.
- Si el quemador no se queda encendido, póngase en contacto con el establecimiento donde realizó la compra.

### 5.2. Primer uso



**¡A tención!** ¿Va a utilizar el pozo de fuego por primera vez? Verifique que enciende el aparato en la posición máxima durante 15 minutos. De esta forma, las rocas de lava se calentarán bien y esto hará que las irregularidades o burbujas de aire de las rocas de lava desaparezcan. Durante el primer encendido o después de que las rocas de lava se hayan mojado (por ejemplo, por la lluvia), quédese a al menos a **dos metros de distancia** del quemador y asegúrese de que no haya ningún material inflamable en ese **radio de dos metros** alrededor del pozo. Como se van a quemar las burbujas de aire de las rocas de lava, las rocas pueden saltar e incluso salirse del quemador.

¿Quiere guardar o trasladar las rocas de lava después de usar el aparato? ¡Asegúrese **siempre** de que se han enfriado completamente!

Las rocas de lava se pueden ennegrecer con el tiempo. Esto tiene que ver con la formación de hollín que se produce siempre en los aparatos con llama amarilla. Esta formación de hollín se puede eliminar soplando o aspirando las rocas de lava con un aspirador. El hollín también se puede cepillar en seco.

### 5.3. Apagado del pozo de fuego

- ¿Quiere apagar el pozo de fuego? Gire el botón de mando completamente hasta la posición de "OFF" para que se apague la llama. Cuando la llama se haya apagado completamente, gire la espita de gas de la bombona hasta cerrarla.
- Deje que el pozo de fuego y las rocas de lava se enfríen completamente antes de poner la cubierta sobre el quemador.

### 5.4. Traslado del aparato

El Cosipillar se suministra con cuatro ruedas. Estas ruedas se pueden utilizar para mover fácilmente el Cosipillar de un lado a otro, lo que le permitirá disfrutar del pilar en cualquier lugar del jardín o del patio. El paso 4.1 muestra cómo se pueden montar las ruedas.

**Tenga en cuenta:** si desea mover el Cosipillar, asegúrese de que lo ha desconectado y se ha enfriado por completo. Suelte el freno en las ruedas, y empuje o tire de la estructura del Cosipillar para moverlo. **Tenga en cuenta lo siguiente:** Si desea mover el pilar, no lo levante ni lo empuje contra el cristal; éste queda suelto en la parte superior del aparato. Tenga cuidado: el Cosipillar podría caerse si se aplica demasiada fuerza. ¿Está el Cosipillar ahora en la posición deseada? Entonces, active el freno de las ruedas antes de utilizar el Cosipillar.

### 5.5. Sustitución de la manguera de gas y del regulador de presión de gas

La vida útil de una manguera de gas propano es de entre 5 y 10 años. Le recomendamos que sustituya la manguera de gas y el regulador de presión de gas una vez cada 5 años. Controle si el aparato tiene fugas de gas después de sustituir el regulador y la manguera y antes de cada uso. Lo puede hacer de la siguiente manera:

- ¡Abra la bombona de gas, pero no enciendas el aparato (deje el botón de mando en la posición "OFF")!
- Prepare una disolución al cincuenta por ciento de líquido lavavajillas y agua y aplíquela sobre todas las conexiones y sobre la manguera de gas. Si hay alguna fuga en las conexiones o en la manguera, aparecerán burbujas de aire.
- Si se ven burbujas de aire y por tanto hay un escape de gas, cierre inmediatamente la espita de gas de la bombona. Sustituya la manguera o el regulador de presión por uno nuevo y vuelva a realizar la prueba. No encienda el aparato hasta que no se puedan detectar ya más burbujas.
- Si el problema persiste, póngase en contacto con un instalador de gas certificado.

¿Va a sustituir la manguera de gas o el regulador? Colóquelos exactamente igual que como se habían montado. La manguera de gas puede tener una longitud máxima de 2,5 metros. En el punto 6. "Datos técnicos" encontrará las características técnicas del regulador de presión de gas. En caso de duda, consulte con un instalador de gas certificado.

### 5.6. ¿Qué hacer si algo falla?

Por supuesto, nos esforzamos al máximo para fabricar productos seguros. Por eso, siga siempre las instrucciones e indicaciones de este manual de instrucciones:



#### *Instrucciones para extinguir los pozos de fuego Cosi*

Es importante cerrar la alimentación de gas lo antes posible si algo falla. Gire directamente el botón de mando a la posición "OFF" para detener la alimentación de gas y cierra la bombona girándola. En la mayoría de los casos, la llama se apagará inmediatamente.

Si hubiese una fuga de gas en la manguera por lo que la llama no se apaga, entonces hay que apagar la llama con una manta extintora o un extintor de polvo. Con la manta extintora puede apagar el fuego en un estadio inicial. Además, un extintor de polvo es adecuado para apagar fuego de gas propano o butano. No lo apague **nunca** con otro tipo de extintor.

## 6. Datos técnicos

<b>Cosipillar Curved</b>	
Tipo/Categoría:	Aparato de calefacción portátil para uso en exteriores
Tipo de gas y presión de gas correspondiente:	Butano/propano I3B/P(30) 28-30 mbar (NL, UAE, LU, NO, SE, DK, FI, CZ, GR, LU, TR, UA, PL) I3+(28-30/37) - Propano 37 mbar – Butano 28-30 mbar (BE, LU, FR, GB, ES, CZ, PT, GR, LT, CH, IT, ES, IS) Propano o butano: I3B/P(50) - 50 mbar (DE, AT, CH)
Potencia calefactora:	4 kW / 4 kW / 5 kW
Consumo de gas:	(291 g/h) / (G30: 291 g/h, G31: 286 g/h) / (364 g/h)
Fabricado en:	China

### 6.1. ¿Qué bombona de gas utiliza para el pozo de fuego?

Aquí le indicamos qué medida de bombona puede utilizar. El pozo de fuego se ha probado extensamente con bombonas de gas propano. Por eso, utilice siempre bombonas de gas propano. El uso de otro tipo de bombona o de combustible puede provocar un comportamiento de combustión diferente, o en los casos graves provocar lesiones a personas y mascotas o daños materiales. ¿No está seguro de qué bombona de gas quiere usar? Póngase en contacto siempre con el servicio de atención al cliente de Cosi o con un especialista de gas certificado.

El diámetro máximo de la bombona es de 320 mm y la altura máxima incluyendo el regulador es de 520 mm.

El Cosipillar Curved forma parte de la colección de Cosi.

Cosi es una marca de Gimeg Nederland B.V.

Todos los aparatos de Cosi están probados y certificados por KIWA/GASTEC Nederland y tienen el certificado CE y UKCA.

### 6.2. Garantía del pozo de fuego

Gimeg Nederland B.V. da una garantía de dos años al sistema técnico de gas del pozo de fuego. La garantía no tiene validez si se hace un uso inadecuado o una colocación incorrecta del producto. El Cosipillar Curved está hecho de aluminio. Tenga cuidado en todo momento con el pozo de fuego, en caso de trasladarlo se pueden provocar daños. ¿Tiene alguna pregunta que no hemos contestado en este manual de instrucciones? En nuestro sitio web seguro que encuentra la información que busca. Visite nuestro sitio web escaneando el código QR o visitando [www.cosi-fires.com](http://www.cosi-fires.com).



Además, puede contactar con Gimeg Nederland B.V. con los siguientes datos:

Gimeg Nederland B.V.

Atoomweg 99

3542 AA Utrecht

Países Bajos

+31(0)306629500

[info@cosi-fires.com](mailto:info@cosi-fires.com)

## 1. Introduzione

Complimenti per l'acquisto del Cosipillar Curved. Ci auguriamo che il braciere acquistato sia di tuo gradimento, e che tu possa condividere foto del prodotto in casa tua, e taggarci su Facebook (@cosifires) e su Instagram (@cosi\_fires)!



Per le domande più frequenti e i consigli per la manutenzione visita il nostro sito web scansionando il codice QR oppure andando direttamente al sito che trovi al seguente indirizzo: [www.cosi-fires.com](http://www.cosi-fires.com).

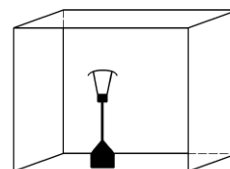
## 2. Regole di sicurezza



**AVVERTENZA:** Accertati che le istruzioni (di sicurezza) contenute in questo manuale d'uso siano sempre rispettate alla lettera per evitare il rischio di incendi, esplosioni, e di provocare danni a persone e cose e/o perdita di vite umane. Leggi attentamente le presenti istruzioni di montaggio e di sicurezza, prima di installare e utilizzare il dispositivo.

1. Il braciere deve essere sempre assemblato correttamente nel rispetto delle istruzioni di montaggio che sono in dotazione.
2. Non modificare mai il sistema tecnico del gas di questo dispositivo. Qualsiasi modifica a tale sistema può essere pericolosa, e invaliderà la garanzia del dispositivo.
3. L'installazione, le regolazioni o le modifiche non corrette del dispositivo possono provocare lesioni o danni materiali.
4. In caso di uso improprio o di mancata osservanza delle istruzioni di sicurezza, la società declinerà ogni responsabilità, e la garanzia non risulterà fruibile.
5. Il dispositivo deve essere utilizzato nel rispetto della normativa vigente. Anche la bombola del gas deve essere conservata in ossequio a tali disposizioni.
6. Se in qualsiasi momento senti odore di gas, interrompi immediatamente l'alimentazione del gas al braciere, spegni tutti i fuochi accesi nelle vicinanze, e non accendere di nuovo il braciere per nessun motivo. Continui a sentire odore di gas? Allontanati dal braciere, e chiama un tecnico del gas.
7. Il braciere deve essere posizionato in piano, su una superficie rigida e stabile.
8. Il focolare può essere utilizzato solo con bombole di gas propano. Non utilizzare mai carburante differente rispetto a quello descritto nel presente manuale. Vedi il punto 6. "Specifiche tecniche" per ulteriori informazioni.
9. Posiziona sempre la bombola del gas in posizione verticale. All'interno del dispositivo, la bombola del gas non deve mai essere sdraiata su un fianco, né inclinata.
10. Mantieni uno spazio di almeno 2 metri intorno al dispositivo libero da liquidi, materiali, combustibili e vapori infiammabili.
11. Prima di ogni utilizzo, controlla che il collegamento del tubo del gas al bruciatore, il regolatore di pressione del gas sul tubo del gas e il regolatore di pressione del gas sulla bombola del gas siano montati nella maniera corretta, e non siano lenti. Durante il controllo di tali collegamenti, accertati sempre che la valvola del gas sulla bombola sia chiusa. Se i collegamenti sono allentati, stringili sempre, prima di utilizzare il dispositivo.
12. Sostituisci la bombola del gas all'aria aperta, lontano da qualsiasi fonte di accensione (per esempio, candele, sigarette, altri dispositivi che generano fiamme).
13. Ogni volta che il collegamento del gas viene ricollegato, e prima di ogni utilizzo, i collegamenti di cui al punto 11 e il tubo del gas stesso devono essere controllati per verificare la presenza di eventuali perdite. Il tubo del gas e il regolatore della pressione del gas devono essere sostituiti con la cadenza specificata (vedi punto 5.5.).
14. Il tubo del gas non deve mai entrare a contatto con la superficie calda del bruciatore. Verifica che il tubo sia sempre piegato direttamente verso la bombola del gas, e non tocchi mai la superficie del bruciatore.
15. Il tubo del gas deve essere conforme alle disposizioni e alla normativa nazionale applicabile (EN16436). Il tubo flessibile è collegato al regolatore di pressione del gas in dotazione. Non collegare mai la bombola del gas direttamente al dispositivo, senza che vi sia un regolatore di pressione del gas.
16. Il regolatore di pressione del gas è impostato su 28-30 mbar, 37 mbar o 50 mbar, e la pressione di uscita del regolatore di pressione del gas sarà pari a 28-30 mbar, 37 mbar o 50 mbar. Il regolatore di pressione del gas deve essere impostato in base alla specifica categoria di gas a seconda del Paese interessato; vedi, al riguardo la tabella, segnatamente il punto 6. "Specifiche tecniche" Il regolatore deve essere conforme allo standard EN 16129.

17. Non modificare mai le impostazioni della valvola dell'aria del bruciatore. Se le prese d'aria dell'anello antincendio sono ostruite, contatta immediatamente un tecnico del gas.
18. Non ostacolare mai il libero flusso di aria e dell'ossigeno verso il dispositivo.
19. L'iniettore del dispositivo non deve essere rimosso, e deve essere installato e/o sostituito solo da un specialista.
20. Non è consentito commutare il dispositivo da una pressione di gas ad un'altra. Utilizza sempre il regolatore di pressione del gas specificato (vedi punto 6. "Specifiche tecniche").
21. Questo dispositivo è a fiamma libera, accertati quindi che i bambini e gli animali Curvedstici siano sempre supervisionati da una persona adulta e responsabile, mentre è in funzione. Il braciere non deve essere utilizzato dai bambini.
22. **AVVERTENZA:** Tieni i bambini e gli animali Curvedstici lontani dal dispositivo. Il bruciatore della Così ha delle componenti che si surriscaldano quando il dispositivo è in funzione! Dopo averlo usato, attendi che l'apparecchio si raffreddi a sufficienza, prima di consentire ai bambini e agli animali Curvedstici di avvicinarsi. Consigliamo di attendere almeno 1,5 ore.
23. Non spostare mai il dispositivo, quando è in funzione. Dopo l'uso, attendi almeno 1,5 ore prima di spostarlo. Chiudi sempre la valvola del gas della bombola, prima di spostare il dispositivo.
24. Non lasciare mai la fiamma aperta incustodita, mentre l'apparecchio è in funzione
25. Non toccare le pietre laviche finché non si sono raffreddati completamente.
26. Dopo l'uso, spegni sempre l'alimentazione del gas sul bruciatore, e chiudi sempre la valvola del gas sulla bombola.
27. Attendere almeno due ore, dopo aver spento il braciere, prima di posizionare qualsiasi copertura di protezione.
28. Non utilizzare il braciere in presenza di venti forti o di tempeste.
29. Il braciere deve sempre essere utilizzato all'aperto o in ambienti molto ben ventilati. Per esempio, giardini d'inverno o verande, per esempio. Per spazio ben ventilato si intende quando almeno il 25% della superficie dell'ambiente è a diretto contatto con l'aria esterna. La superficie è la somma delle pareti che ne racchiudono lo spazio. Per maggiori chiarimenti guarda l'immagine qui a destra.
30. Non utilizzare mai il braciere all'interno di un edificio, di una casa, di un garage o di un qualsiasi altro spazio chiuso.
31. Le istruzioni per l'uso e il montaggio devono essere conservate insieme al braciere. In caso di cessione del prodotto a terzi, i documenti dovranno essere consegnati insieme allo stesso.
32. L'uso di alcolici, droghe e alcuni farmaci potrebbe compromettere la capacità di assemblare correttamente o di utilizzare in sicurezza il braciere.
33. **Non** introdurre, né bruciare oggetti o altri materiali combustibili al fuoco del braciere.
34. Presta particolare attenzione, quando indossi indumenti infiammabili, mentre accendi e sei seduto accanto al braciere.
35. Non sporgerti sul bruciatore, durante l'accensione del braciere.
36. Non sederti e/o stare in piedi sul braciere, soprattutto quando è in funzione.
37. Non scollegare la bombola del gas, né i suoi collegamenti, mentre il braciere è in funzione.
38. Non mettere il braciere sotto oggetti appesi.
39. Prima di utilizzare il dispositivo, accertati di avere a disposizione una coperta antincendio, e un estintore a polvere. In caso di incendio, metti immediatamente la coperta antincendio sul fuoco, e fai in modo che le fiamme non siano esposte all'ossigeno. Il modo migliore per spegnere l'incendio è utilizzare un estintore a polvere. Non utilizzare **MAI** estintori ad acqua o a schiuma per incendi da oggetti combustibili.
40. Le bombole di gas devono essere stoccate all'aperto o in spazi ben ventilati, naturalmente nel rispetto delle normative vigenti. Tieni le bombole di gas fuori dalla portata dei bambini.
41. È preferibile riporre il braciere in un garage o in un ambiente ben ventilato. Riponi il braciere solo dopo averlo scollegato dalla bombola del gas.
42. Il braciere non è approvato come dispositivo di cottura, e pertanto non deve essere utilizzato per tali finalità.
43. Per ricevere assistenza o ulteriori informazioni contatta un nostro tecnico autorizzato, l'helpdesk della Così o il tuo rivenditore.

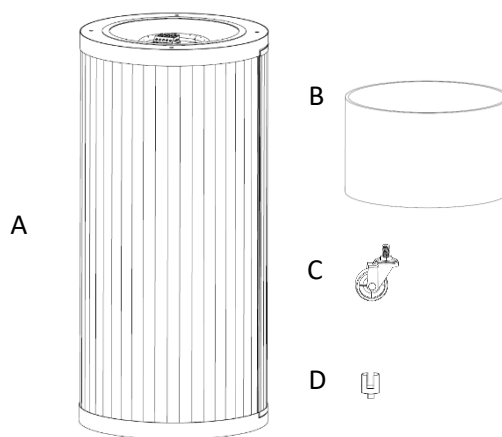


### 3. Contenuto della confezione

Il Cosipillar Curved è dotato dei seguenti elementi:

Contenuto della confezione

- A. Cosipillar Curved
- B. Vetro
- C. 4x ruote
- D. 4x pezzi del connettore
- E. 1x scatola di pietre laviche
- F. Batteria AAA



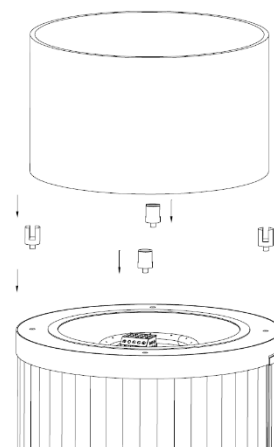
L'unica cosa che rimane da acquistare è una bombola di gas. La si può trovare presso un rivenditore di gas locale. Ulteriori informazioni sulle dimensioni massime della bombola del gas sono reperibili al punto 6.1.

### 4. Istruzioni per l'assemblaggio

#### 4.1. Posizionamento del braciere

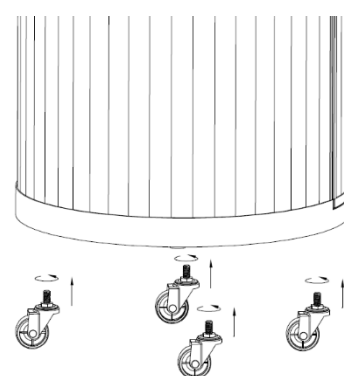
Segui gli step seguenti per assemblare il braciere nella maniera corretta. **Nota:** Assicurati che il bruciatore non sia ancora collegato a una bombola di gas, mentre esegui gli step descritti qui di seguito!

1. Rimuovi con cautela tutte le parti dall'imballaggio, e controlla se è presente tutto ciò che è rappresentato nella figura riportata sopra.
2. Scegli la posizione in cui intendi collocare il braciere. Accertati che si trovi su una superficie pavimentata (preferibilmente in pietra). Tale superficie dovrebbe essere completamente in piano e pulita. Inoltre, il braciere dovrebbe essere posizionato ad almeno due metri di distanza da materiali e liquidi infiammabili.
3. Il braciere è dotato di gambe regolabili che si trovano sotto il prodotto stesso. Se il braciere si trova su una superficie non sufficientemente piana, è possibile utilizzarle per fare in modo che il braciere sia in piano.
4. Posizionare i quattro connettori (D) nei quattro fori sulla parte superiore del pilastro. Quindi, posizionare il vetro (B) negli incavi dei quattro raccordi.



Vuoi spostare più facilmente il tuo Cosipillar? Allora sostituisci i piedini regolabili con le ruote (C), che sono fornite separatamente. Puoi operare come segue:

- Assicurarsi che il Cosipillar non sia collegato a una bombola di gas; che una bombola di gas non sia all'interno del modello; e che il vetro e le pietre laviche siano stati rimossi.
- Chiedi a qualcuno di inclinare leggermente il Cosipillar, affinché risulti agevole accedere ai due piedini regolabili che si trovano su ciascuno dei lati. **Attenzione:** la parte superiore del Cosipillar è stata allentata; quindi, non inclinare dall'alto. È opportuno, inoltre, tenere il Cosipillar dal corpo.
- Quando il braciere è inclinato, svita i piedini che si trovano sulla parte inferiore, e sostituiscili con le ruote. Successivamente, inclina il Cosipillar verso l'altro lato per svitare gli altri due piedini, e avvita le restanti ruote. Consigliamo di mettere le ruote (C) dotate di freno in diagonale, e non immediatamente una accanto all'altra.



#### 4.2. Preparazione all'uso

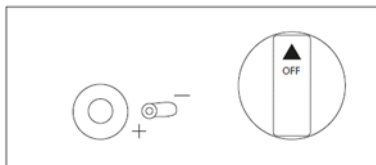
##### 4.2.1. Inserimento o sostituzione della batteria

Il braciere è dotato di un sistema di accensione piezoelettrica alimentato da una batteria AAA. È possibile inserire o sostituire la batteria procedendo come illustrato di seguito:

- Assicurati che il braciere e le pietre laviche si siano raffreddati completamente.
- Verifica che il braciere non sia più collegato alla bombola del gas.



- Accanto alla manopola di comando, sul pannello di controllo, c'è un pulsante nero più piccolo: è il meccanismo di accensione che contiene la batteria.
- Ora è possibile svitare il sistema di accensione nero ruotandolo in senso antiorario, poi devi inserire la batteria al suo interno prestando molta attenzione alla polarità +/- . Infine, richiudi il quadro di accensione.



- A seguito dell'uso frequente, la batteria potrebbe esaurirsi. Hai sostituito la batteria? Allora, riporta la batteria esausta in un punto di raccolta.

#### 4.2.2. Posizionamento delle pietre laviche

Una volta posizionato correttamente il braciere, è possibile sistemare le pietre laviche all'interno del bruciatore. Le pietre laviche vengono fornite in dotazione con ogni braciere. Prendi le pietre laviche stando attento a non prendere anche la sabbia, altrimenti i fori del bruciatore potrebbero ostruirsi. Posiziona con attenzione le pietre laviche sopra il sul bruciatore. Fai in modo che il gruppo di accensione sia privo di pietre laviche.



Se desideri riordinare il vetro oppure le rocce laviche, puoi farlo ricevendo la merce al tuo indirizzo di acquisto.

#### 4.2.3. Inserimento o sostituzione della bombola del gas

Hai acquistato una bombola del gas dalle dimensioni corrette (vedi il punto 6. "Specifiche tecniche")? Allora potrai collegare il regolatore di pressione del gas del bruciatore con la bombola del gas. Si fa nel modo che segue: monta il regolatore di pressione del gas sulla bombola del gas. Stringi il dado del regolatore di pressione del gas manualmente, **non** utilizzare alcuno strumento.

La bombola del gas può ora essere collocata nell'unità della bombola del gas del braciere. Tuttavia, non è obbligatorio farlo. Si può, infatti, anche scegliere di collocare la bombola del gas all'esterno del dispositivo.

- Inserimento della bombola del gas all'interno del dispositivo
  1. L'unità della bombola del gas si trova su uno dei lati del Cosipillar. Posiziona sempre la bombola del gas in posizione verticale sulla struttura in acciaio. La bombola di gas non deve mai essere sdraiata su un fianco, né inclinata quando si trova all'interno del dispositivo. È possibile utilizzare la cinghia di colore nero per fissare la bombola del gas al lato del prodotto; ciò ridurrà la probabilità che si possa ribaltare.
  2. Accertati che la bombola del gas sia collegata al regolatore di pressione del gas in dotazione, poi apri la valvola della bombola del gas, quando desideri iniziare a utilizzare il braciere.
  3. Verifica che il tubo del gas sia sempre piegato verso l'unità della bombola del gas. Assicurati che il tubo del gas non sia mai premuto contro le superfici calde del dispositivo.
  4. Non stai usando il braciere? Allora, spegni sempre l'alimentazione del gas sul bruciatore, nonché la valvola del gas sulla bombola.
- Posizionamento della bombola del gas all'esterno del dispositivo

Non intendi mettere la bombola del gas all'interno del braciere perché, per esempio, ne stai utilizzando una con capacità maggiore rispetto a quella prevista? È possibile anche posizionare la bombola di gas all'esterno del braciere. Quest'operazione si esegue come sarà spiegato qui di seguito:

  1. Il tubo del gas può essere fatto passare all'esterno del Cosipillar, cioè sotto la base o attraverso lo sportello (ciò implicherà però che non sarà possibile chiuderlo).
  2. Il tubo del gas in dotazione è lungo 1,5 m. Quindi, posiziona la bombola del gas a una distanza massima di 1 metro dal braciere stesso. Non posizionare il tubo del gas su una terrazza in modo tale che risulti, di fatto, scoperto. Altrimenti, persone o animali Curvedstici potrebbero inciamparci. Metti sempre la bombola del gas in un punto in cui le persone non transitano, e che non sia raggiungibile né dai bambini, né dagli animali Curvedstici.
  3. Accertati che la bombola del gas sia collegata al regolatore di pressione del gas in dotazione, poi apri la valvola della bombola del gas, quando desideri iniziare a utilizzare il braciere.
  4. Non stai usando il braciere? Allora, spegni sempre l'alimentazione del gas sul bruciatore, nonché la valvola del gas sulla bombola.

La bombola del gas è esausta, ed è necessario sostituirla? Verifica che la valvola del gas sia sempre chiusa, poi rimuovi il regolatore di pressione del gas dalla bombola manualmente. Assicurati anche che il braciere e le pietre laviche si siano raffreddati completamente! Rimuovi quindi la vecchia bombola del gas e, se necessario, collega la nuova direttamente al regolatore di pressione del gas sfruttando la descrizione fornita sopra. È possibile sia sostituire la bombola vuota, sia farla riempire di nuovo dal locale fornitore di gas. Dopo aver installato la nuova bombola, controlla **sempre** che tutti i collegamenti non mostrino perdite (vedi il punto 5.5.).

## 5. Istruzioni per l'uso

### 5.1. Istruzioni per l'accensione

- Controlla che il braciere sia stabile e fermo.
- Assicurati che sia collegato a una bombola di gas piena, e che una batteria carica sia inserita all'interno del meccanismo d'accensione. Premi a fondo il piccolo pulsante nero (pulsante di accensione) fino a sentire un leggero ticchettio: si tratta del meccanismo di accensione piezoelettrica. Se non senti nulla quando premi il pulsante di accensione, probabilmente occorre provvedere alla sostituzione della batteria. Tieni premuto il pulsante di accensione mentre apri l'alimentazione del gas ruotando la manopola grande (alimentazione del gas) sulla posizione "HIGH". Il bruciatore dovrebbe accendersi in 15 secondi. Una volta che il bruciatore produce una fiamma, tieni premuta la manopola di controllo per altri 15 secondi. La fiamma ora rimarrà stabile. Si spegne? Allora riprova, e tieni premuto il pulsante di alimentazione del gas ancora più a lungo.
- Se il bruciatore continua a non funzionare, contatta il rivenditore.

### 5.2. Primo utilizzo



**Attenzione!** Stai per utilizzare il braciere per la prima volta? Assicurati che il dispositivo rimanga acceso alla massima potenza per circa 15 minuti. In questo modo le pietre laviche saranno ben riscaldate, e ciò garantisce la scomparsa di eventuali protuberanze o bolle d'aria dalle stesse. Durante il primo utilizzo, se le pietre laviche si sono inumidite (per esempio, per la pioggia), tieni almeno **due metri di distanza** dal bruciatore, e accertati anche che **non** siano sistemati materiali infiammabili intorno o sul braciere nel **raggio di due metri**. Mentre le bolle d'aria vengono bruciate, la prima volta, le pietre potrebbero sussultare e fuoriuscire dal bruciatore; lo stesso dicasi dopo che si sono bagnate.

Intendi pulire o spostare le pietre laviche dopo l'uso? Allora, accertati prima che si siano **sempre** raffreddati completamente!

Le pietre laviche col tempo possono annerirsi. È un fenomeno dovuto alla formazione di fuliggine che si verifica sempre in presenza di dispositivi che emanano fiamme gialle. Tale fuliggine può essere rimossa soffiando/aspirando le pietre laviche con un apposito aspirapolvere per ceneri. La fuliggine può anche essere spazzolata via con una spazzola asciutta.

### 5.3. Spegnimento del braciere

- Intendi spegnere il braciere? Allora ruota la manopola di controllo fino a fine corsa sulla posizione "OFF", affinché la fiamma si spenga. Una volta che è completamente spenta, chiudi la valvola del gas sulla bombola.
- Lascia raffreddare completamente il braciere e le pietre laviche, prima di posizionare la piastra di copertura sul bruciatore.

### 5.4. Spostamento del dispositivo

Il Cospillar viene fornito con quattro ruote in dotazione. Queste ultime possono essere utilizzate per spostare facilmente il Cospillar in un'altra posizione consentendoti così di poter fruire del braciere a colonna in più punti del giardino o del patio. Lo step 4.1 mostra come fare per montare le ruote.

**Attenzione:** se vuoi spostare il Cospillar, accertati che sia stato scollegato dalla presa di corrente, e che si sia completamente raffreddato. Per spostarlo rilascia il freno delle ruote, e poi spingilo o tiralo prendendolo dal corpo.

**Attenzione:** Se si desidera spostare la colonna, non sollevare o spingere contro il vetro, che si trova allentato sulla parte superiore dell'apparecchio. **Fai attenzione:** il Cospillar potrebbe cadere, se applichi una forza eccessiva. Il Cospillar è nella posizione desiderata? Allora attiva il freno delle ruote, prima di iniziare a utilizzarlo.

### 5.5. Sostituzione del tubo e del regolatore di pressione del gas

La vita utile di un tubo del gas propano è compresa tra i 5 e i 10 anni. Consigliamo di sostituire il tubo del gas e il regolatore di pressione del gas ogni 5 anni. Controlla che il dispositivo non presenti perdite di gas, dopo aver sostituito il regolatore di pressione del gas e il tubo del gas, e prima di ogni uso. Tale operazione deve essere eseguita come segue:

- Apri la bombola del gas, ma **non** accendere il dispositivo (la manopola di controllo deve rimanere sulla posizione "OFF")!
- Prepara una miscela di 50% di detergente e 50% di acqua, e applicala su tutti i raccordi, nonché sul tubo del gas. Se si verifica una perdita di gas nei collegamenti o nel tubo, si formeranno delle bolle d'aria.
- Se tali bolle diventano visibili significa che c'è una perdita di gas in corso, e quindi occorre chiudere immediatamente la valvola del gas della bombola. Sostituisci il tubo o il regolatore di pressione del gas con uno nuovo, ed esegui nuovamente tutti i controlli. Accendi il dispositivo solo quando non rilevi più la presenza di tali bolle.
- Se il problema persiste, contatta un tecnico specialista di gas.

Stai sostituendo il tubo del gas e/o il regolatore di pressione del gas? Allora installali esattamente nello stesso modo in cui erano montati quelli originali. Il tubo del gas deve essere lungo al massimo 2,5 metri. Al punto 6. "Specifiche tecniche" sono riportate le specifiche tecniche del regolatore di pressione del gas. In caso di dubbi, contatta sempre un tecnico specialista di gas.

### 5.6. Cosa fare se qualcosa va storto?

Naturalmente, facciamo tutto il possibile affinché i nostri prodotti siano sempre sicuri. Pertanto, rispetta sempre le istruzioni fornite, e segui le indicazioni contenute nel presente manuale d'uso:



#### *Istruzioni per lo spegnimento dei bracieri della Così*

È importante interrompere l'erogazione del gas il prima possibile, quando qualcosa sta andando storto. Gira immediatamente la manopola di comando sulla posizione "OFF" per interrompere l'alimentazione del gas, poi chiudi la bombola del gas. Nella maggior parte dei casi la fiamma dovrebbe spegnersi immediatamente.

Se si è verificata una perdita nel tubo del gas che provoca il persistere delle fiamme, queste ultime possono essere spente utilizzando una coperta antincendio oppure un estintore a polvere. Con la coperta antincendio è possibile spegnere l'incendio nella sua fase iniziale. Un estintore a polvere, invece, è adatto anche per spegnere incendi di gas propano/butano. Non spegnere **MAI** i fuochi con qualsiasi altro tipo di estintore, né tanto meno con dell'acqua.

## 6. Specifiche tecniche

<b>Cosipillar Curved</b>	
Tipo/ Cat.:	Apparecchio portatile per il riscaldamento per uso esterno
Tipo di gas e pressione corrispondente:	Butano / Propano I3B/P(30) 28-30 mbar (NL, EAU, LU, NO, SE, DK, FI, CZ, GR, LU, TR, UA, PL) I3+(28-30/37) - Propano 37 mbar – Butano 28-30 mbar (BE, LU, FR, GB, ES, CZ, PT, GR, LT, CH, IT, ES, IS) Propano / Butano: I3B/P(50) - 50 mbar (DE, AT, CH)
Capacità di riscaldamento:	4 kW / 4 kW / 5 kW
Consumo di gas:	(291 g/h) / (G30: 291 g/h, G31: 286 g/h) / (364 gr/h)
Prodotto in:	Cina

### 6.1. Quale bombola di gas usi per il tuo braciere?

Di seguito, è riportata un'indicazione delle dimensioni delle bombole di gas che è possibile utilizzare. Il braciere è stato ampiamente testato su bombole di gas propano. Pertanto, occorre sempre utilizzare bombole con questo tipo di gas. L'utilizzo di una diversa bombola di gas/carburante potrebbe ingenerare un diverso comportamento della fiamma o, nel peggiore dei casi, provocare gravi danni a persone, animali Curvedstici o oggetti. Non sei sicuro circa l'impiego di una determinata bombola di gas? Allora contatta sempre l'helpdesk della Cosi oppure uno specialista del gas autorizzato.

Il diametro massimo della bombola del gas deve essere pari a 320 mm, mentre l'altezza massima, incluso il regolatore di pressione, di 520 mm.

Il Cosipillar Curved fa parte della collezione Cosi.  
Cosi è un brand della Gimeg Nederland B.V.

Tutti i riscaldatori a gas della Cosi sono testati e certificati dalla KIWA/GASTEC Nederland, e pertanto recano il marchio di qualità CE e UKCA.

### 6.2. Garanzia sul braciere

La Gimeg Nederland B.V. offre una garanzia di due anni sul sistema tecnico a gas del braciere. Non è fornita, al contrario, alcuna garanzia in caso di uso improprio o installazione errata del prodotto. Il Cosipillar Curved è realizzato in alluminio. Presta quindi sempre attenzione al braciere in quanto, in caso di spostamento anche involontario, potrebbe provocare danni. Hai domande che non abbiamo trattato nel presente manuale? Troverai le informazioni che stai cercando sul nostro sito web. Visita il nostro sito online scansionando il codice QR oppure andando direttamente al seguente indirizzo: [www.cosi-fires.com](http://www.cosi-fires.com).



Gimeg Nederland B.V. è raggiungibile anche ai seguenti recapiti:

Atoomweg 99  
3542 AA Utrecht  
Paesi Bassi  
+31(0)306629500  
[info@cosi-fires.com](mailto:info@cosi-fires.com)

## 1. Indledning

Tillykke med købet af din Cosipillar Curved. Vi håber, at du får glæde af din pejs og ser frem til, at du deler billeder af dit produkt på din placering og tagger os på Facebook (@cosifires) og Instagram (@cosi\_fires)!



Du kan finde ofte stillede spørgsmål og tips om vedligeholdelse på vores hjemmeside ved at scanne QR-koden eller gå til [www.cosi-fires.com](http://www.cosi-fires.com).

## 2. Sikkerhedsinstruktioner

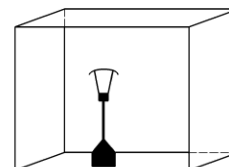


**ADVARSEL:** Sørg for, at sikkerhedsinstruktionerne i denne brugsanvisning altid følges nøje for at undgå risiko for brand, eksplosion, andre skader på personer og ejendom og/eller tab af menneskeliv. Læs disse installations- og sikkerhedsinstruktioner omhyggeligt, før du installerer og bruger apparatet.

1. Pejsen skal altid monteres korrekt i henhold til den medfølgende monteringsvejledning.
2. Der må aldrig foretages ændringer på gassystemet på dette apparat. Enhver ændring af systemet kan være farlig og vil medføre, at garantien for apparatet bortfalder.
3. Ukorrekt installation, justering eller ændring af apparatet kan medføre personskade eller materiel skade.
4. I tilfælde af ukorrekt brug eller manglende overholdelse af sikkerhedsinstruktionerne afvises ethvert ansvar, og garantien bortfalder.
5. Dette apparat skal anvendes i overensstemmelse med de gældende regler. Gasflasken skal også opbevares i overensstemmelse med disse bestemmelser.
6. Hvis du på noget tidspunkt kan lugte gas: sluk straks for gastilførslen til pejsen, sluk alle åbne ildsteder i nærheden af pejsen, og tænd ikke pejsen igen. Kan du fortsat lugte gas? Gå væk fra pejsen, og ring til en gasspecialist.
7. Pejsen skal placeres vandret på et hårdt og stabilt underlag.
8. Pejsen er kun egnet til brug med propanflasker. Brug aldrig andet brændstof end det, der er beskrevet i denne brugsanvisning. Se punkt 6. 'Tekniske specifikationer' for mere information.
9. Placer altid gasflasken i en oprejst stilling. Gasflasken må aldrig placeres liggende eller på skrå i apparatet.
10. Hold et område på mindst 2 meter omkring apparatet fri for brandfarlige væsker, materialer, brændbare materialer og dampe.
11. Før hver brug skal du kontrollere, at gasslangen til brænderen, gastryksregulatoren på gasslangen og gastryksregulatoren på gasflasken er korrekt monteret og ikke sidder løst. Når du kontrollerer forbindelserne, skal du altid sikre dig, at gasventilen på gasflasken er lukket. Hvis forbindelserne er løse, skal du stramme dem, før du tager apparatet i brug.
12. Placer gasflasken tilbage i frisk luft, væk fra antændelseskilder (stearinlys, cigaretter, andre flammeproducerende anordninger).
13. Hver gang gasforbindelsen tilsluttes igen og før hver brug skal de i punkt 11 nævnte forbindelser og selve gasslangen kontrolleres for utætheder. Gasslangen og gastryksregulatoren skal udskiftes inden for de foreskrevne intervaller (se punkt 5.5.).
14. Gasslangen må aldrig komme i kontakt med brænderens varme overflade. Sørg for, at slangen altid er bøjet direkte nedad mod gasflasken og ikke rører ved brænderens overflade.
15. Gasslangen skal overholde de nationalt gældende love og bestemmelser (EN16436). Slangen tilsluttes til den medfølgende gastryksregulator. Gasflasken må aldrig tilsluttes direkte til apparatet uden en gastryksregulator.
16. Gastryksregulatoren er indstillet til 28-30 mbar, 37 mbar eller 50 mbar, og udgangstrykket fra gastryksregulatoren er 28-30 mbar, 37 mbar eller 50 mbar. Gastryksregulatoren skal indstilles i henhold til den landespecifikke gaskategori, se tabellen under punkt 6. 'Tekniske specifikationer'. Regulatoren skal være i overensstemmelse med EN 16129-standarden.
17. Ændr aldrig indstillingerne for brænderens luftventil. Kontakt straks en gasspecialist, hvis brænderens udluftningsventiler er blokeret.
18. Hindrer aldrig den frie strøm af luft og ilt til apparatet.
19. Injektoren på denne enhed må ikke fjernes, og injektoren må kun installeres og/eller udskiftes af en fagmand.
20. Det er ikke tilladt at skifte apparatet fra et gastryk til et andet. Brug altid den foreskrevne gastryksregulator (se punkt 6. 'Tekniske specifikationer').



21. Dette apparat har en åben flamme. Sørg altid for, at børn og kæledyr altid er under opsyn af en moden og ansvarlig person under brug. Pejsen må ikke betjenes af børn.
22. **ADVARSEL:** Hold børn og kæledyr væk fra apparatet. Cosi-brænderen har dele, der bliver meget varme under drift! Efter brug skal du vente, indtil apparatet er kølet tilstrækkeligt ned, før du lader børn og kæledyr komme i nærheden af apparatet. Det anbefales at vente mindst 1,5 time.
23. Flyt aldrig apparatet, når det er i brug. Vent mindst 1,5 time efter brug, før du flytter apparatet. Luk altid gasventilen på gasflasken, før du flytter apparatet.
24. Efterlad aldrig den åbne flamme uden opsyn under brug.
25. Rør ikke ved lavastenene før de er kølet helt af.
26. Efter brug skal du altid lukke for gastilførslen til brænderen og lukke gasventilen på gasflasken.
27. Vent mindst to timer efter du har slukket for pejsen, før du monterer et beskyttelsesdæksel.
28. Brug ikke pejsen hvis der er stærk vind eller i storm.
29. Pejsen bør altid bruges udendørs eller i meget godt ventilerede rum. Dette kan f.eks. omfatte vinterhaver eller verandaer. I et godt ventileret rum skal mindst 25 % af overfladen være i direkte kontakt med udeluften. Overfladearealet er summen af de vægge, der omslutter rummet. Se illustrationen til højre for at få en præcisering.
30. Brug aldrig pejsen i en bygning, en lejlighed, en garage eller et andet lukket rum.
31. Betjenings- og installationsvejledningen skal opbevares sammen med pejsen. I tilfælde af salg til tredjemand skal disse dokumenter også vedlægges.
32. Indtagelse af alkohol, stoffer og visse former for medicin kan forringe evnen til at samle eller betjene pejsen korrekt og sikkert.
33. **Du må ikke** placere eller brænde genstande eller brændbart materiale i pejsen.
34. Vær især forsigtig, hvis du har brandfarligt tøj på, når du tænder op og er i nærheden af pejsen.
35. Du må ikke læne dig over brænderen, når du tænder for pejsen.
36. Du må ikke sidde og/eller stå på pejsen, især ikke når den er i drift.
37. Du må ikke afbryde gasflasken eller tilslutningerne, når pejsen er i drift.
38. Placer ikke pejsen under nedhængende genstande.
39. Sørg for, at du har et brandtæppe og en pulverslukker, før du bruger apparatet. I tilfælde af brand skal du straks lægge brandtæppet på ilden og sørge for, at flammerne ikke får ilt. Den bedste måde at slukke branden på er med en pulverslukker. Brug **aldrig** vand- eller skumslukkere til brændselsbrande.
40. Gasflasker skal opbevares udendørs eller i velventilerede rum i overensstemmelse med de gældende regler. Opbevar gasflasker uden for børns rækkevidde.
41. Det er bedst at opbevare pejsen i en garage eller i et godt ventileret rum. Opbevar kun pejsen, når den er koblet fra gasflasken.
42. Pejsen er ikke godkendt som kogeapparat og bør derfor ikke anvendes som sådan.
43. Hvis du har brug for hjælp eller yderligere oplysninger, skal du kontakte en godkendt tekniker, Cosi kundeservice eller sælgeren.

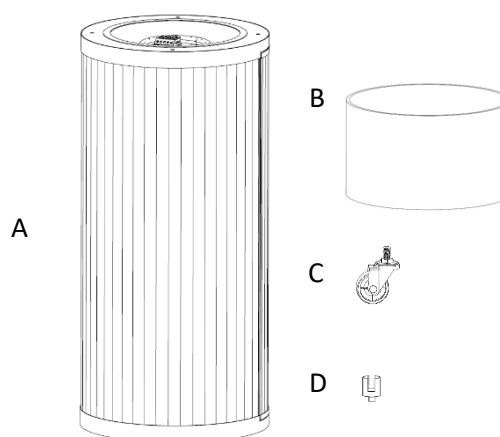


### 3. Indhold i pakken

Cosipillar Curved leveres med følgende dele:

Pakkeindhold:

- A. Cosipillar Curved
- B. Glas
- C. 4x hjul
- D. 4x forbindelsesstykke
- E. 1 x kasse med lavasten
- F. AAA-batteri



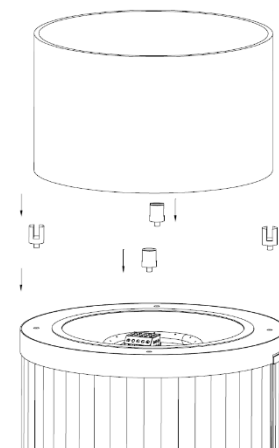
Det eneste, du stadig skal købe, er en gasflaske. Du kan få den hos din lokale gasleverandør. For yderligere oplysninger om gasflaskens maksimale dimensioner, se punkt 6. 'Tekniske specifikationer'.

### 4. Monteringsanvisninger

#### 4.1. Opsætning af pejsen

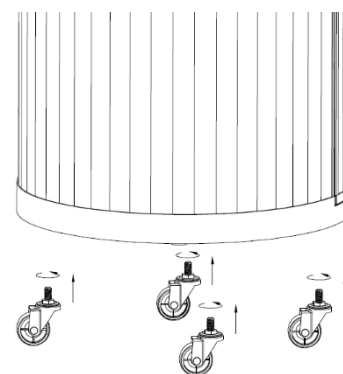
Følg nedenstående trin for at montere pejsen korrekt. **Bemærk:** Sørg for, at brænderen endnu ikke er tilsluttet til en gasflaske, mens du udfører de følgende trin!

1. Fjern forsigtigt alle dele fra emballagen, og kontroller, at alt er til stede i henhold til ovenstående oversigt.
2. Vælg det sted, hvor du ønsker at placere pejsen. Sørg for, at pejsen er placeret på en asfalteret overflade (helst sten). Overfladen skal være helt plan og ren. Desuden skal pejsen være mindst to meter væk fra brændbare materialer og væsker.
3. Pejsen leveres med justerbare fødder på undersiden. Hvis pejsen er placeret på en overflade, der ikke er helt plan, kan du bruge de justerbare fødder til at nivellere pejsen.
4. Placer de fire forbindelsesstykker (D) i de fire huller på toppen af søjlen. Placer derefter glasset (B) i fordybningerne i de fire forbindelsesstykker.



Vil du gerne kunne flytte Cosipillar på en let måde? Så kan du udskifte de justerbare fødder med de leverede separate hjul (C). Det kan gøres på følgende måde:

- Sørg for, at Cosipillar ikke er tilsluttet en gasflaske, at der ikke er en gasflaske inde i modellen, og at glasset og lavastenene er fjernet.
- Bed en anden person om forsigtigt at vippe cosipillaren lidt, så de to justerbare fødder på den ene side er let tilgængelige. **Bemærk:** Toppen på Cosipillar er løs, så du må ikke vippe den ovenfra. Det er bedst at holde cosipillaren ind mod kroppen.
- Når Cosipillar er vippet, skruer du fødderne af bunden og erstatter dem med hjulene (C). Vip derefter Cosipillar til den anden side for at skrue de to andre fødder af, og skru de resterende to hjul fast i modellen. Vi anbefaler, at du ikke placerer hjulene med bremsen direkte ved siden af hinanden, men diagonalt i forhold til hinanden.



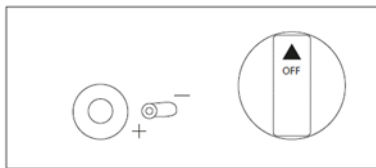
#### 4.2. Forberedelse til brug

##### 4.2.1. Indsættelse eller udskiftning af batteri

Pejsen har en piezo-tænding og betjenes med AAA-batteri. Du kan sætte batteriet i eller udskifte det på følgende måde:

- Sørg for, at pejsen og lavastenene er kølet helt ned.
- Sørg for, at pejsen ikke er eller ikke længere er tilsluttet en gasflaske.
- Ved siden af kontrolknappen er der en mindre sort knap på kontrolpanelet. Dette er tændingen, og indeni er batteriet.

- Du kan nu skrue den sorte tændingslås ud mod uret og sætte batteriet ind i tændingslåsen, idet du skal være opmærksom på +/- siden. Luk derefter tændingslåsen igen.



- Efter megen brug kan batteriet blive afladet. Har du udskiftet batteriet? Tag derefter det tomme batteri med til et opsamlingssted.

#### 4.2.2. Placering af lavastenene

Når du har placeret pejsen korrekt, kan du placere lavastenene i brænderen. Lavastenene følger med hver pejs. Tag lavastenene uden grus i hånden, da brænderhullerne ellers kan blive blokeret. Placer forsigtigt lavastenene i og på brænderen. Hold belysningsenheden fri for lavasten.



Hvis du gerne vil genbestille glasset eller lavastenene, er det muligt under din købsadresse.

#### 4.2.3. Isætning eller udskiftning af gasflasken

Har du købt en gasflaske med de korrekte dimensioner (se punkt 6. 'Tekniske specifikationer')? Derefter kan du tilslutte brænderens gastryksregulator til gasflasken. Dette gøres på følgende måde: Monter gastryksregulatoren på gasflasken. Spænd møtrikken på gastryksregulatoren med hånden, **ikke** med noget andet værktøj.

Derefter kan du placere gasflasken i gasflaskeenheden på pejsen. Dette er dog ikke obligatorisk. Du kan også vælge at placere gasflasken uden for apparatet.

##### - Indsættelse af gasflasken i apparatet

1. Der er en gasflaskeholder til gas på den ene side af Cosipillar. Placer altid gasflasken lodret på stålrammen. Gasflasken **må aldrig** placeres liggende eller på skrån i apparatet. Du kan bruge den sorte strop til at fastgøre gasflasken til siderammen. Det reducerer sandsynligheden for, at gasflasken vælter.
2. Sørg for, at gasflasken er tilsluttet den medfølgende gastryksregulator, og åbn gasflaskeventilen, når du vil bruge pejsen.
3. Sørg for, at gasslangen altid er bøjet nedad mod gasflasken. Sørg for, at gasslangen aldrig presses mod varme overflader på apparatet.  
Bruger du ikke pejsen? Så skal du altid lukke for gastilførslen på brænderen og gasventilen på gasflasken.

##### - Placering af gasflasken uden for apparatet

Ønsker du ikke at placere gasflasken i pejsen, fordi du f.eks. bruger en gasflaske med en større kapacitet end angivet? Så kan du også placere gasflasken uden for pejsen. For at gøre dette skal du gøre følgende:

1. Gasslangen kan føres uden for Cosipillar ved at føre den under bunden på Cosipillar eller ved at føre den gennem døren (det betyder, at døren ikke kan lukkes).
2. Den medfølgende gasslange er 1,5 m lang. Placer derfor gasflasken i en afstand på højst 1 m fra pejsen. Gasslangen må ikke lægges åbent på terrassen. Mennesker eller kæledyr kan snuble over gasslangen. Placer derfor altid gasflasken på et sted, hvor der ikke er nogen mennesker, og hvor børn og kæledyr ikke kan komme til den.
3. Sørg for, at gasflasken er tilsluttet den medfølgende gastryksregulator, og åbn gasflaskeventilen, når du vil bruge pejsen.
4. Bruger du ikke pejsen? Så skal du altid lukke for gastilførslen på brænderen og gasventilen på gasflasken.

Er gasflasken tom og skal udskiftes? Sørg for, at gasventilen altid er lukket, og drej gastryksregulatoren fra gasflasken med hånden. Sørg også for at pejsen og lavastenene er kølet helt ned! Fjern den gamle gasflaske, og tilslut om nødvendigt den nye gasflaske direkte til gastryksregulatoren som beskrevet ovenfor. Du kan udskifte den tomme flaske eller få den genopfyldt af din lokale gasleverandør. Efter installation af en ny gasflaske skal du altid kontrollere alle gastilslutninger for utætheder (se punkt 5.5.).



## 5. Betjeningsvejledning

### 5.1. Instruktioner for antændelse

- Kontroller, om pejsen står stabil og fast.
- Sørg for, at pejsen er tilsluttet en fuld gasflaske, og at der er sat et fuldt batteri i tændingsanlægget. Tryk helt på den lille sorte knap (tændingsknappen), indtil du hører et svagt tikken, dette er piezo-tændingen. Hvis du ikke kan høre noget, når du trykker på tændingsknappen, skal du sandsynligvis udskifte batteriet. Hold tændingsknappen nede, mens du åbner gastilførslen ved at dreje den store drejeknap (gastilførsel) til "HIGH". Brænderen skal nu antændes inden for 15 sekunder. Når brænderen er helt tændt, skal du holde knappen nede i yderligere 15 sekunder. Flammerne vil nu fortsætte med at gløde. Er flammerne gået ud? Prøv derefter igen, og hold gastilførselsknappen endnu længere nede.
- Hvis brænderen stadig ikke brænder, skal du kontakte sælgeren.

### 5.2. Bruges første gang



**Bemærk!** Vil du bruge pejsen for første gang? Sørg derefter for, at apparatet er tændt på den højeste indstilling i 15 minutter. Dette vil opvarme lavastenene godt og sikre, at eventuelle ujævnheder eller luftbobler fra lavastenene forsvinder. Når du bruger apparatet første gang, og efter at lavastenene er blevet fugtige (f.eks. på grund af regn), skal du opbevare mindst **to meter væk** fra brænderen og også sikre, at der **ikke** anbringes brandfarlige materialer omkring eller på gruben inden for denne **to meters radius**. Når luftboblerne brændes ud af lavastenene, kan stenene første gang og efter vådtørring knække og muligvis løsne sig fra brænderen.

Vil du rydde op eller flytte lavasten efter brug? Sørg så **altid** for, at de er kølet helt af!

Lavastenene kan blive sorte med tiden. Dette skyldes soddannelse, som altid forekommer ved apparater, der giver gule flammer. Denne sod kan fjernes ved at blæse/suge lavastenene med en askestøvsuger. Sodet kan også børstes af med en tør børste.

### 5.3. Slukke af pejsen

- Vil du slukke for pejsen? Drej knappen helt til "OFF", så flammerne slukkes. Så snart flammerne er helt slukket, lukkes gasventilen på gasflasken.
- Lad pejsen, lavastenene og de keramiske brændestykker køle helt af, inden du sætter dækpladen på brænderen.

### 5.4. Flytning af apparatet

Cosipillar leveres med fire hjul. Du kan nemt flytte Cosipillar til et andet sted og dermed nyde terrassevarmeren forskellige steder i din have eller på din terrasse. Trin 4.1 viser, hvordan du monterer hjulene.

**Bemærk:** Hvis du vil flytte Cosipillar, skal du sørge for, at enheden er blevet koblet fra og er kølet helt ned. Slip bremsen på hjulene, og skub eller træk i Cosipillarens kabinet for at flytte den. **Bemærk:** Hvis du vil flytte søjlen, må du ikke løfte ved eller skubbe til glasset; det sidder løst oven på apparatet. Vær forsigtig; Cosipillar kan vælte, hvis der anvendes for meget kraft. Er Cosipillar nu i den ønskede position? Aktiver så bremsen på hjulene, før du bruger Cosipillar.

### 5.5. Udskiftning af gasslangen og gastryksregulatoren

- En propangasslange har en levetid på 5 til 10 år. Det anbefales at udskifte gasslangen og gastryksregulatoren hvert 5. år. Kontroller apparatet for gaslækager efter udskiftning af gastryksregulator og gasslange og før hver brug. Fremgangsmåden er som følger:
- Åbn gasflasken, **men tænd ikke** for apparatet (kontrolknappen forbliver på OFF)!
- Tilbered en blanding af 50 % rengøringsmiddel og 50 % vand, og påfør den på alle tilslutninger og gasslangen. Hvis der er en gaslækage i forbindelserne eller slangen, dannes der luftbobler.
- Hvis luftbobler bliver synlige, hvilket betyder, at der er en gaslækage, skal du straks lukke gasflaskens gasventil. Udskift slangen eller gastryksregulatoren med en ny, og udfør testen igen. Tænd ikke for apparatet, før der ikke længere er nogen luftbobler synlige.
- Hvis problemet fortsætter, skal du kontakte en gasteknisk specialist.

Skal du udskifte gasslangen og/eller gastryksregulatoren? Installer dem derefter nøjagtigt som de blev installeret. Gasslangen må højst være 2,5 meter lang. Under punkt 6. 'Tekniske specifikationer', finder du de tekniske specifikationer for gastryksregulatoren. Hvis du er i tvivl, skal du altid kontakte en gasteknisk specialist.

### 5.6. Hvad skal du gøre, hvis noget går galt?

Vi gør naturligvis alt, hvad vi kan, for at fremstille et sikkert produkt. Følg derfor altid anvisningerne og bemærkningerne i denne brugsanvisning:



#### *Vejledning om slukning af Cosi pejse*

Det er vigtigt at stoppe gasforsyningen så hurtigt som muligt, hvis noget går galt. Drej straks knappen til "OFF" for at stoppe gastilførslen, og luk gasflasken. I de fleste tilfælde skal flammerne slukkes med det samme.

Hvis en gaslækage i gasslangen gør, at flammerne kan fortsætte, kan flammerne slukkes med et brandtæppe eller en pulverslukker. Med brandtæppet kan du slukke branden på et tidligt tidspunkt. En pulverslukker er også velegnet til slukning af brande med propan/butangas. Sluk **aldrig** med andre typer brandslukkere.

## 6. Tekniske specifikationer

<b>Cosipillar Curved</b>	
Type/kat:	Transportabelt varmeapparat til udendørs brug
Gastype og tilsvarende gastryk:	Butan/Propan I3B/P(30) 28-30 mbar (NL, UAE, LU, NO, SE, DK, FI, CZ, GR, LU, TR, UA, PL) I3+(28-30/37) - Propan 37 mbar - Butan 28-30 mbar (BE, LU, FR, GB, ES, CZ, PT, GR, GR, LT, LT, CH, IT, ES, IS) Propan/Butan: I3B/P(50) - 50 mbar (DE, AT, CH)
Opvarmningskapacitet:	4 kW / 4 kW / 5 kW
Gasforbrug:	(291 g/t) / (G30: 291 g/t, G31: 286 g/t) / (364 g/t)
Fremstillet i:	Kina

### 6.1. Hvilken gasflaske skal du bruge i pejsen?

Nedenfor finder du en angivelse af, hvilken størrelse gasflaske du kan bruge. Pejsen er blevet grundigt testet med propanflasker. Brug derfor altid en propanflaske. Hvis du bruger en anden gasflaske/brændstof, kan det resultere i en anden brandadfærd eller i værste fald forårsage større skader på mennesker, kæledyr eller materialer. Er du ikke sikker på, om du vil bruge en bestemt gasflaske? Så kontakt altid Cosi kundeservice eller en godkendt gasspecialist.

Den maksimale diameter på gasflasken er 320 mm og den maksimale højde inkl. gastryksregulator er 520 mm.

Cosipillar Curved er en del af Cosi collection.

Cosi er et varemærke tilhørende Gimeg Nederland B.V.

Alle Cosi-gasvarmere er testet og certificeret af KIWA / GASTEC Holland og bærer CE- og UKCA-kvalitetsmærket.

### 6.2. Garanti på pejsen

Gimeg Nederland B.V. yder to års garanti på pejsenes gastekniske system. Der ydes ingen garanti i tilfælde af forkert brug eller forkert installation af dette produkt. Cosipillar Curved er fremstillet i aluminium. Håndter altid pejsen med forsigtighed, da den kan blive beskadiget, når den flyttes. Har du spørgsmål, som ikke er dækket i denne brugsanvisning? Du kan finde de oplysninger, du leder efter, på vores hjemmeside. Besøg vores hjemmeside ved at scanne QR-koden eller gå til [www.cosi-fires.com](http://www.cosi-fires.com).



Gimeg Nederland B.V. kan også kontaktes via nedenstående oplysninger:

Atoomweg 99  
3542 AA Utrecht  
Holland  
+31(0)306629500  
[info@cosi-fires.com](mailto:info@cosi-fires.com)

## 1. Introduksjon

Gratulerer med kjøpet av Cosipillar Curved. Vi håper du liker ildstedet ditt og setter stor pris på det om du deler bilder av produktet ditt der du befinner deg og tagger oss på Facebook (@cosifires) og Instagram (@cosi\_fires)!



For vanlige spørsmål og vedlikeholdstips, besøk nettstedet vårt ved å skanne QR-koden eller gå til [www.cosi-fires.com](http://www.cosi-fires.com).

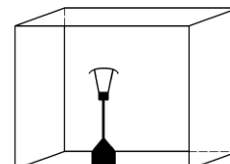
## 2. Sikkerhetsinstruksjoner



**ADVARSEL:** Sørg alltid for at (sikkerhets)instruksjonene i denne brukerhåndboken følges nøyaktig for å unngå fare for brann, eksplosjoner, annen skade på personer og gjenstander og/eller tap av liv. Les disse monteringsanvisningene og sikkerhetsinstruksjonene nøye før du installerer og bruker enheten.

1. Ildstedet skal alltid monteres riktig i henhold til monteringsanvisningen som følger med.
2. Du må aldri endre noe i det gasstekniske systemet til denne enheten. Enhver modifikasjon av systemet kan være farlig, og dette vil ugyldiggjøre all enhetsgaranti.
3. Feil installasjon, justeringer eller modifikasjoner av enheten kan føre til personskade eller skade på eiendom.
4. Ved feil bruk eller unnlatelse av å følge sikkerhetsinstruksjonene, avvises ethvert ansvar og garantien gjelder ikke.
5. Denne enheten må brukes i samsvar med gjeldende forskrifter. Gassflasken skal også oppbevares i henhold til denne forskriften.
6. Hvis du på noe tidspunkt lukter gass: Steng umiddelbart for gasstilførselen til ildstedet, slukk all åpen ild i nærheten av gropen og ikke antenn ildstedet igjen. Kan du fortsatt lukte gass? Gå bort fra ildstedet og ring en gassteknisk spesialist.
7. Ildstedet skal plasseres i vater på en hard, stabil overflate.
8. Ildstedet er kun egnet for bruk med propangassflasker. Bruk aldri annet drivstoff enn det som er beskrevet i denne håndboken. Se punkt 6. «Tekniske spesifikasjoner» for mer informasjon.
9. Plasser alltid gassflasken i oppreist stilling. Gassflasken må aldri plasseres liggende eller vippes i apparatet.
10. Hold et område på minst to meter rundt enheten fritt for brennbare væsker, materialer, drivstoff og damper.
11. Før hver bruk, sjekk om tilkoblingen av gasslangen til brenneren, gasstrykkregulatoren på gasslangen og gasstrykkregulatoren på gassflasken er riktig montert og ikke løse. Når du kontrollerer koblingene, sørg alltid for at gassventilen på gassflasken er stengt. Hvis koblingene er løse, stram dem alltid før du bruker enheten.
12. Bytt ut gassflasken i uteluften, vekk fra antennelseskilder (stearinlys, sigaretter, andre flammeproduerende enheter).
13. Hver gang gasstilkoblingen kobles til igjen og før hver bruk, bør koblingene nevnt i punkt 11 og selve gasslangen kontrolleres for lekkasjer. Gasslangen og gasstrykkregulatoren må skiftes innen de foreskrevne intervallene (se punkt 5.5.).
14. Gasslangen skal aldri komme i kontakt med brennerens varme overflate. Pass på at slangen alltid er bøyd rett ned mot gassflasken og ikke berører overflaten på brenneren.
15. Gasslangen må være i samsvar med nasjonalt gjeldende lover og forskrifter (EN16436). Slangen kobles til den medfølgende gasstrykkregulatoren. Koble aldri gassflasken direkte til enheten uten en gasstrykkregulator.
16. Gasstrykkregulatoren er satt til 28-30 mbar, 37 mbar eller 50 mbar og utløpstrykket til gasstrykkregulatoren er 28-30 mbar, 37 mbar eller 50 mbar. Gasstrykkregulatoren må stilles inn i henhold til den spesifikke gasskategorien per land, se tabellen i punkt 6. «Tekniske spesifikasjoner». Regulatoren skal være i samsvar med EN 16129-standard.
17. Endre aldri luftventilinnstillingene til brenneren. Hvis luftventilene til brannringen er blokkert, kontakt en gassteknisk spesialist umiddelbart.
18. Blokker aldri en fri strøm av luft og oksygen til enheten.
19. Injektoren til denne enheten skal ikke fjernes, og injektoren skal kun installeres og/eller erstattes av en spesialist.
20. Det er ikke tillatt å bytte apparatet fra ett gasstrykk til et annet gasstrykk. Bruk alltid den foreskrevne gasstrykkregulatoren (se punkt 6. «Tekniske spesifikasjoner»).

21. Denne enheten har åpen flamme, sørg alltid for at barn og kjæledyr er under oppsyn av en voksen og ansvarlig person under drift. Ildstedet må ikke betjenes av barn.
22. **ADVARSEL:** Hold barn og kjæledyr på god avstand fra enheten. Cosi-brenneren har deler som blir veldig varme ved bruk! Etter bruk, vent til apparatet er tilstrekkelig avkjølt før du lar barn og kjæledyr komme i nærheten av apparatet. Det anbefales å vente minst 1,5 time.
23. Flytt aldri enheten hvis den er i bruk. Etter bruk, vent minst 1,5 time før du flytter enheten. Steng alltid gassventilen på gassflasken før du flytter enheten.
24. La aldri åpen ild være uten tilsyn under bruk.
25. Ikke berør lavasteinene før de er helt avkjølt.
26. Etter bruk må du alltid slå av gasstilførselen på brenneren og alltid stenge gassventilen på gassflasken.
27. Vent minst to timer etter at du har slukket ildstedet før du setter på noe beskyttelsesdeksel.
28. Ikke bruk ildstedet under kraftig vind eller storm.
29. Ildstedet skal alltid brukes utendørs eller i svært godt ventilerte rom. Disse kan for eksempel inkludere vinterhager eller verandaer. For et godt ventilert rom bør minst 25 % av overflaten være i direkte forbindelse med uteluften. Overflatearealet er summen av veggene som omslutter rommet. Se bildet til høyre for forklaring.
30. Bruk aldri ildstedet i en bygning, hjem, garasje eller andre lukkede rom.
31. Bruks- og monteringsanvisningen skal oppbevares sammen med ildstedet. Ved salg til tredjeparter må disse dokumentene leveres.
32. Bruk av alkohol, narkotika og visse medisiner kan påvirke evnen til å montere eller trygt betjene ildstedet.
33. Ikke plasser eller brenn gjenstander eller drivstoff i flammene i ildstedet.
34. Vær ekstra forsiktig når du har på deg brennbare klær mens du antenner og sitter i nærheten av ildstedet.
35. Ikke len deg over brenneren når du tenner ildstedet.
36. Ikke sitt og/eller stå på ildstedet, spesielt mens det er i bruk.
37. Ikke koble fra gassflasken eller tilkoblingene mens ildstedet er i bruk.
38. Ikke plasser ildstedet under hengende gjenstander.
39. Sørg for at du har et brannteppe og pulverslukningsapparat rundt før du bruker enheten. Ved brann, legg straks brannteppe på ildstedet og sørg for at flammene ikke utsettes for oksygen. Den beste måten å slukke brannen på er med et pulverapparat. Bruk **aldri** vann- eller skumslukkere for drivstoffbranner.
40. Gassflasker bør lagres utendørs eller i godt ventilerte rom i henhold til gjeldende forskrifter. Hold gassflasker utilgjengelig for barn.
41. Ildstedet oppbevares best i en garasje eller godt ventilert rom. Oppbevar ildstedet kun når det er koblet fra gassflasken.
42. Ildstedet er ikke godkjent som kokeapparat og bør derfor ikke brukes som sådan.
43. For hjelp eller tilleggsinformasjon, kontakt en lisensiert tekniker, Cosi-helpdesk eller selgeren.



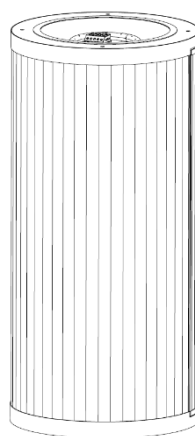
### 3. Pakkeinnhold

Cosipillar Curved leveres med følgende deler:

Pakkeinnhold:

- A. Cosipillar Curved
- B. Glass
- C. 4x hjul
- D. 4x koblingsstykke
- E. 1x boks med lavasteiner
- F. AAA-batteri

A



B



C



D



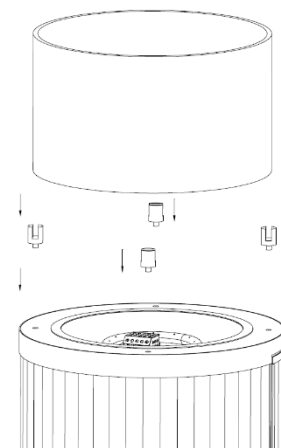
Det eneste du fortsatt trenger å kjøpe er en gassflaske. Dette kan fås fra din lokale gassleverandør. Mer informasjon om gassylinderens maksimale dimensjoner finner du under punkt 6.1.

### 4. Monteringsanvisning

#### 4.1. Plassering av ildstedet

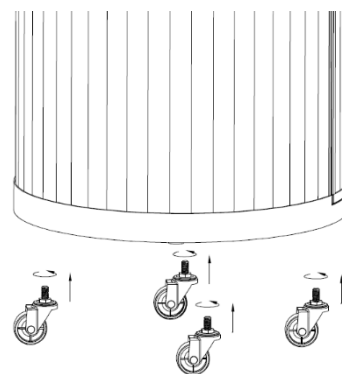
Følg trinnene nedenfor for å montere ildstedet riktig. **Merk:** Sørg for at brenneren ennå ikke er koblet til en gassflaske mens du utfører trinnene nedenfor!

1. Fjern forsiktig alle deler fra emballasjen og sjekk om alt er tilstede i henhold til oversikten ovenfor.
2. Velg stedet der du vil plassere ildstedet. Sørg for at ildstedet er på en asfaltert (helst stein) overflate. Overflaten skal være helt flat og ren. Videre bør ildstedet plasseres minst to meter unna brennbare materialer og væsker.
3. Ildstedet leveres med justerbare ben under. Hvis ildstedet står på et underlag som ikke er helt plant, kan du bruke de justerbare bena til å jevne ut ildstedet.
4. Plasser de fire forbindelsesstykkene (D) i de fire hullene på toppen av søylen. Plasser deretter glasset (B) i fordypningene på de fire koblingsstykkene.



Vil du gjøre Cosipillar lettere å flytte? Da kan du bytte ut de justerbare føttene med de separat leverte hjulene (C). Dette kan gjøres som følger:

- Pass på at Cosipillar ikke er koblet til en gassflaske, at det ikke er en gassflaske inne i modellen, og at glasset og lavasteinen er fjernet.
- Be en annen person om å vippe Cosipillar forsiktig litt, slik at de to justerbare føttene lett kan nås på den ene siden. **Merk:** toppen av Cosipillar er løs, så ikke vipp fra toppen. Det er best å holde kroppen til Cosipillar.
- Mens Cosipillar vippes, skru av føttene fra bunnen av modellen og erstatte dem med hjulene (C). Vipp deretter Cosipillar mot den andre siden, for å skru av de to andre føttene og skru de resterende to hjulene inn i modellen. Vi anbefaler å plassere hjulene som har en brems diagonalt fra hverandre, og ikke rett ved siden av hverandre.



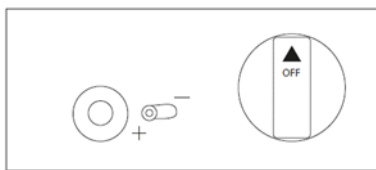
#### 4.2. Forberedelse for bruk

##### 4.2.1. Sette inn eller bytte batteri

Ildstedet har en piezo-tenning og drives av ett AAA-batteri. Du kan sette inn eller bytte batteriet på følgende måte:

- Sørg for at ildstedet og lavasteiner er helt avkjølt.
- Sørg for at ildstedet ikke er eller ikke lenger er koblet til en gassflaske.
- Ved siden av kontrollknappen er det en mindre svart knapp på kontrollpanelet. Dette er tenningen og denne inneholder batteriet.

- Du kan nå skru av den svarte tenningen mot klokken og sette batteriet inn i tenningen, og vær nøye med +/-siden. Lukk deretter tenningen igjen.



- Etter hyppig bruk kan batteriet gå tomt. Har du byttet batteri? Returner deretter det tomme batteriet til et innsamlingspunkt.

#### 4.2.2. Plassering av lavasteiner

Når du har plassert ildstedet riktig, kan du plassere lavasteinene i brenneren. Lavastener er inkludert i hvert ildsted. Ta lavasteinene uten grus for hånd, ellers kan brennerhullene bli tette. Legg lavasteinene forsiktig i og på brenneren. Hold tenningsenheten fri for lavasteiner og keramiske tømmerstokker.



Ønsker du å etterbestille glasset eller lavasteinene er dette mulig på din kjøpsadresse.

#### 4.2.3. Sette inn eller bytte ut gassflasken

Har du kjøpt en gassflaske med riktige dimensjoner (se punkt 6. «Tekniske spesifikasjoner»)? Deretter kan du koble brennerens gasstrykkregulator til gassflasken. Dette gjøres som følger: monter gasstrykkregulatoren til gassflasken. Trekk til mutteren på gasstrykkregulatoren for hånd, **ikke** med andre verktøy.

Du kan deretter plassere gassflasken i gassflaskeenheten til ildstedet. Dette er imidlertid ikke obligatorisk. Du kan også velge å plassere gassflasken utenfor enheten.

##### - Sette gassflasken inn i enheten

1. Den ene siden av Cosipillar har en gassflaskeenhet. Plasser alltid gassflasken oppreist på stålrammen. Gassflasken **må aldri** plasseres liggende eller vippes i apparatet. Du kan bruke den svarte stropen til å feste beholderen mot sideveggen. Dette vil redusere sannsynligheten for at gassflasken velter.
2. Sørg for at gassflasken er koblet til den medfølgende gasstrykkregulatoren og åpne gassflaskeventilen når du vil bruke ildstedet.
3. Pass på at gasslangen alltid er bøyd ned mot gassflasken. Pass på at gasslangen aldri presses mot varme overflater på enheten.
4. Bruker du ikke ildstedet? Slå da alltid av gasstilførselen på brenneren og gassventilen på gassflasken.

##### - Plassering av gassflasken utenfor enheten

Vil du ikke sette gassflasken inne i ildstedet fordi du for eksempel bruker en gassflaske med større kapasitet enn spesifisert? Da kan du også plassere gassflasken utenfor ildstedet. Dette gjør du på følgende måte:

1. Gasslangen kan føres utenfor Cosipillar ved å føre den under bunnen av Cosipillar eller ved å føre den gjennom døren (dette betyr at døren ikke lukkes).
2. Den medfølgende gasslangen er 1,5 m lang. Plasser derfor gassflasken i en maksimal avstand på 1 meter fra ildstedet. Ikke plasser gasslangen åpent over terrassen. Tross alt kan mennesker eller kjæledyr snuble over gasslangen. Plasser derfor alltid gassflasken på et sted der folk ikke går og som barn og kjæledyr ikke kan nå.
3. Sørg for at gassflasken er koblet til den medfølgende gasstrykkregulatoren og åpne gassflaskeventilen når du vil bruke ildstedet.
4. Bruker du ikke ildstedet? Slå da alltid av gasstilførselen på brenneren og gassventilen på gassflasken.

Er gassflasken tom og må du bytte den? Sørg for at gassventilen er stengt til enhver tid og vri gasstrykkregulatoren på gassflasken for hånd. Sørg også for at ildgropen og lavasteinene er helt avkjølt! Fjern den gamle sylindren og koble om nødvendig den nye gassflasken direkte til gasstrykkregulatoren ved å bruke beskrivelsen ovenfor. Du kan bytte den tomme sylindren eller få den fylt hos din lokale gassleverandør. Etter å ha montert en ny sylinder, kontroller **alltid** alle gasskoblinger for lekkasjer (se punkt 5.5.).

## 5. Bruksanvisning

### 5.1. Instruksjoner for tenning

- Sjekk om ildstedet er stabilt og fast.
- Sørg for at ildstedet er koblet til en fylt gassflaske og at et fullt batteri er plassert i tenningen. Trykk den lille svarte knappen (tenningsknappen) helt inn til du hører et mykt tikk, dette er piezo-tenningen. Hvis du ikke hører noe når du trykker på tenningsknappen, må du sannsynligvis bytte batteriet. Hold tenningsknappen inne mens du åpner gasstilførselen ved å vri den store knappen (gastilførsel) til 'HIGH'. Brenneren skal nå tennes innen 15 sekunder. Når brenneren produserer flammer, hold nede kontrollknappen i ytterligere 15 sekunder. Flammene lyser nå. Slukker flammene? Prøv så dette på nytt og hold inne gasstilførselsknappen enda lenger.
- Hvis brenneren fortsatt ikke brenner, ta kontakt med selgeren.

### 5.2. Første bruk



**OBS!** Skal du bruke ildstedet for første gang? Sørg deretter for at enheten er slått på på høyeste innstilling i 15 minutter. På denne måten varmes lavasteinene godt opp og dette sikrer at eventuelle støt eller luftbobler forsvinner fra lavasteinene. Ved første gangs bruk, og etter at lavasteinene har vært fuktige (for eksempel på grunn av regn), hold minst **to meter unna** brenneren og sørg også for at ingen brennbare materialer plasseres rundt eller på gropen innenfor denne **to-metersradiusen**. Ettersom luftboblene er brent ut av lavasteinene, kan steinene hoppe opp første gang og etter å ha vært våte og eventuelt komme ut av brenneren.

Vil du rydde opp eller flytte lavasteinene etter bruk? Sørg da **alltid** for at de er helt avkjølt!

Lavasteinene kan etter hvert bli svarte. Dette skyldes sotdannelse, som alltid oppstår med apparater som produserer gule flammer. Denne soten kan fjernes ved å blåse/støvsuge og lavasteinene med en askesuger. Soten kan også børstes av med en tørr børste.

### 5.3. Slukke ildstedet

- Vil du slukke ildstedet? Vri kontrollknappen helt til 'OFF' slik at flammene slukker. Når flammene er helt slukket, lukk gassventilen på gassflasken.
- La ildsted og lavasteiner avkjøles helt før du legger dekkplaten over brenneren.

### 5.4. Flytte enheten

Cosipillar leveres med fire hjul. Disse hjulene kan brukes til å enkelt flytte Cosipillar til et annet sted, slik at du kan nyte søylen på forskjellige steder i hagen din eller på terrassen din. Trinn 4.1 viser hvordan hjulene kan monteres.

**Merk:** hvis du vil flytte Cosipillar, sørg for at Cosipillar er koblet fra og er helt avkjølt. Slipp bremsen på hjulene, og skyv eller trekk kroppen til Cosipillar for å flytte den. **Merk:** Hvis du vil flytte søylen, må du ikke løfte ved eller skyve mot glasset; dette sitter løst på toppen av apparatet. Vær forsiktig; Cosipillar kan falle over hvis det påføres for mye kraft. Er Cosipillar nå i ønsket posisjon? Aktiver deretter bremsen på hjulene før du bruker Cosipillar.

### 5.5. Bytting av gasslange og gasstrykkregulator

Levetiden til en propangasslange er fem til ti år. Det anbefales å skifte ut gasslangen og gasstrykkregulatoren en gang hvert 5. år. Kontroller enheten for gasslekkasjer etter bytte av gasstrykkregulator og gasslange og før hver bruk. Dette gjøres som følger:

- Åpne gassflasken, men **ikke** slå på enheten (kontrollknappen forblir på OFF)!
- Lag en blanding av 50 % vaskemiddel og 50 % vann og påfør den på alle koblinger og på gasslangen. Hvis det er en gasslekkasje i koblingene eller slangen, vil det dannes luftbobler.
- Hvis luftbobler blir synlige, noe som betyr at det er en gasslekkasje, må du umiddelbart lukke gassventilen på gassflasken. Bytt ut slangen eller gasstrykkregulatoren med en ny og utfør kontrollen på nytt. Tenn enheten bare når det ikke oppdages flere bobler.
- Kontakt en gassteknisk spesialist hvis problemet vedvarer.

Bytter du ut gasslangen og/eller gasstrykkregulatoren? Installer dem deretter på nøyaktig samme måte som de ble montert. Gasslangen bør maksimalt være 2,5 meter lang. I punkt 6. 'Tekniske spesifikasjoner', du finner de tekniske spesifikasjonene til gasstrykkregulatoren. Hvis du er i tvil, kontakt alltid en gassteknisk spesialist.



## 5.6. Hva skal jeg gjøre hvis noe går galt?

Vi gjør selvfølgelig alt vi kan for å lage et trygt produkt. Følg derfor instruksjonene og instruksjonene i denne brukerhåndboken til enhver tid:



### Slukningsanvisninger for Cosi-ildsteder

Det er viktig å stoppe gasstilførselen så raskt som mulig når noe går galt. Vri reguleringsknappen til 'OFF' umiddelbart for å stoppe gasstilførselen og lukke gassflasken. I de fleste tilfeller skal flammene slukkes umiddelbart.

Skulle det være en gasslekkasje i gasslangen som gjør at flammene vedvarer, kan flammene slukkes med et brannteppe eller et pulverapparat. Med brannteppe kan du slukke brannen på et tidlig tidspunkt. Et pulverapparat er også egnet til å slukke propan-/butangassbranner. Slukk **aldri** med noen annen type brannslukningsapparat.

## 6. Tekniske spesifikasjoner

<b>Cosipillar Curved</b>	
Type/kat.:	Bærbart varmeapparat for utendørs bruk
Gasstype og tilsvarende gasstrykk:	Butan/propan I3B/P(30) 28-30 mbar (NL, UAE, LU, NO, SE, DK, FI, CZ, GR, LU, TR, UA, PL) I3+(28-30/37) - Propan 37 mbar – Butan 28-30 mbar (BE, LU, FR, GB, ES, CZ, PT, GR, LT, CH, IT, ES, IS ) Propan/butan: I3B/P(50) - 50 mbar (DE, AT, CH)
Oppvarmingskapasitet:	4 kW / 4 kW / 5 kW
Gassforbruk:	(291 g/t) / (G30: 291 g/t, G31: 286 g/t) / (364 g/t)
Laget i:	Kina

### 6.1. Hvilken gassflaske bruker du i ildstedet?

Nedenfor er en indikasjon på hvilken størrelse gassflaske du kan bruke. Ildstedet har blitt grundig testet på propangassflasker. Bruk derfor alltid en propangassflaske. Bruk av en annen gassflaske/drivstoff kan gi en annen brannatferd, eller i verste fall forårsake store skader på mennesker, kjæledyr eller materialer. Er du usikker på en bestemt gassflaske du vil bruke? Kontakt da alltid Cosi-helpdesk eller en autorisert gassspesialist.

Maksimal diameter på gassflasken er 320 mm og maks høyde inkl. gasstrykkregulator er 520 mm.

Cosipillar Curved er en del av Cosi-samlingen.

Cosi er et varemerke tilhørende Gimeg Nederland B.V.

Alle Cosi-gassvarmere er testet og sertifisert av KIWA / GASTEC Nederland og bærer kvalitetsmerket CE og UKCA.

### 6.2. Ildstedgaranti

Gimeg Nederland B.V. tilbyr to års garanti på det gasstekniske systemet til ildstedet. Ingen garanti gis i tilfelle feil bruk eller feil installasjon av dette produktet. Cosipillar Curved er laget av aluminium. Vær alltid forsiktig med ildstedet, da det kan oppstå skader hvis det flyttes. Har du spørsmål som ikke er dekket i denne håndboken? Du kan finne informasjonen du leter etter på nettsiden vår. Besøk nettstedet vårt ved å skanne QR-koden eller gå til [www.cosi-fires.com](http://www.cosi-fires.com).



Gimeg Nederland B.V. kan også nås via detaljene nedenfor:

Atoomweg 99  
3542 AA Utrecht  
Nederland  
+31(0)306629500  
[info@cosi-fires.com](mailto:info@cosi-fires.com)

## 1. Wprowadzenie

Dziękujemy za zakup paleniska Cosipillar Curved. Mamy nadzieję, że są Państwo zadowoleni z zakupu. Będziemy wdzięczni za udostępnienie zdjęć zakupionego produktu i oznaczenie nas na Facebooku (@cosifires) i Instagramie (@cosi\_fires)!



Odpowiedzi na często zadawane pytania i wskazówki dotyczące konserwacji można znaleźć na naszej stronie internetowej. Aby na nią przejść, wystarczy zeskanować kod QR lub wpisać w pasku przeglądarki adres [www.cosi-fires.com](http://www.cosi-fires.com).

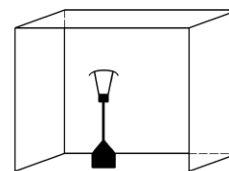
## 2. Instrukcje bezpieczeństwa



**OSTRZEŻENIE:** Należy zawsze przestrzegać instrukcji (bezpieczeństwa) zawartych w niniejszym podręczniku, aby zapobiec ryzyku pożaru, wybuchu, uszkodzeniu mienia, obrażeniom ciała i/lub śmierci. Instrukcje montażu i instrukcje bezpieczeństwa należy dokładnie przeczytać przed przystąpieniem do montażu i korzystania z urządzenia.

1. Palenisko należy zawsze montować zgodnie z załączonymi instrukcjami montażu.
2. Nie wolno wprowadzać żadnych zmian do instalacji gazowej urządzenia. Każda zmiana w instalacji może być niebezpieczna i będzie skutkować unieważnieniem gwarancji urządzenia.
3. Niewłaściwy montaż, niewłaściwa regulacja lub wprowadzanie zmian do urządzenia grozi odniesieniem obrażeń lub uszkodzeniem mienia.
4. W przypadku niewłaściwego użytkowania lub nieprzestrzegania instrukcji bezpieczeństwa producent nie przyjmuje żadnej odpowiedzialności, a gwarancja przestaje obowiązywać.
5. Urządzenia należy używać zgodnie z obowiązującymi przepisami. Butlę z gazem należy przechowywać również zgodnie z tymi przepisami.
6. Jeżeli czuć ulatniający się gaz: Należy natychmiast odciąć dopływ gazu do paleniska, ugasić cały ogień i nie włączać ponownie paleniska. Nadal czuć gaz? Należy odsunąć się od paleniska i wezwać gazownika.
7. Palenisko należy ustawić na utwardzonej, stabilnej powierzchni i wypoziomować.
8. Palenisko jest przeznaczone do użytku wyłącznie z butlami z propanem. Nie wolno używać żadnego innego paliwa poza tym, które podano w niniejszym podręczniku. Więcej informacji na ten temat można znaleźć w punkcie 6. Specyfikacje techniczne.
9. Butlę z gazem zawsze należy ustawiać w pozycji pionowej. Nie wolno jej kłaść ani przechylać wewnątrz urządzenia.
10. W obrębie 2 metrów wokół urządzenia nie mogą występować żadne łatwopalne ciecze, materiały, paliwa ani opary.
11. Przed każdym użyciem sprawdzić, czy przyłącze węża gazu z palnikiem, regulator ciśnienia gazu na wężu gazu i regulator ciśnienia gazu na butli z gazem są prawidłowo zamocowane i nie są obluźnione. Sprawdzając przyłącza, zawsze upewniać się, czy zawór gazu na butli jest zamknięty. Jeżeli przyłącza są obluźnione, przed użyciem urządzenia należy je poprawić.
12. Butlę z gazem wymieniać na świeżym powietrzu, z dala od jakichkolwiek źródeł zapłonu (świec, papierosów, innych palących się obiektów).
13. Po każdym ponownym podłączeniu przyłącza gazu i przed każdym użyciem urządzenia należy sprawdzić przyłącza, o których mowa w punkcie 11, i sam wąż gazu pod kątem nieszczelności. Wąż gazu i regulator ciśnienia gazu należy wymieniać z określoną częstotliwością (patrz punkt 5.5.).
14. Wąż gazu nigdy nie powinien dotykać gorącej powierzchni palnika. Upewnić się, że wąż jest zawsze wygięty w dół w kierunku butli i nie dotyka żadnej powierzchni palnika.
15. Wąż gazu musi być zgodny z krajowymi przepisami ustawowymi i wykonawczymi (z normą EN 16346). Wąż podłącza się do dostarczonego regulatora ciśnienia gazu. Nie wolno podłączać butli z gazem bezpośrednio do urządzenia, bez regulatora.
16. Regulator ciśnienia gazu jest ustawiony na 28–30 mbarów, 37 mbarów lub 50 mbarów, a ciśnienie na wylocie regulatora ciśnienia gazu wynosi 28–30 mbarów, 37 mbarów lub 50 mbarów. Regulator ciśnienia gazu musi być ustawiony zgodnie z określoną kategorią gazu. Patrz tabela w punkcie 6. Specyfikacje techniczne. Regulator powinien spełniać wymagania normy EN 16129.
17. Nie wolno zmieniać ustawień zaworu powietrza palnika. Jeżeli odpowietrzniki paleniska są niedrożne, trzeba niezwłocznie skontaktować się z gazownikiem.
18. Nie wolno zakłócać swobodnego przepływu powietrza i tlenu do urządzenia.

19. Nie należy demontować wtryskiwacza, w który wyposażone jest urządzenie. Wtryskiwacz powinien być montowany i/lub wymieniany wyłącznie przez specjalistę.
20. Nie dopuszcza się przełączania urządzenia z jednego ciśnienia gazu na inne. Zawsze używać zalecanego regulatora ciśnienia gazu (patrz punkt 6. Specyfikacje techniczne).
21. W tym urządzeniu występuje otwarty ogień. W związku z tym gdy urządzenie działa, dzieci i zwierzęta powinny zawsze pozostawać pod nadzorem odpowiedzialnej osoby dorosłej. Paleniska nie mogą być obsługiwane przez dzieci.
22. **OSTRZEŻENIE:** Dzieci i zwierzęta muszą przebywać w bezpiecznej odległości od urządzenia. Palenisko Cosi ma części, które w trakcie użytkowania stają się gorące! Po zakończeniu użytkowania nie pozwalać dzieciom i zwierzętom na zbliżanie się do urządzenia, dopóki ono nie ostygnie. Zazwyczaj trzeba w tym celu poczekać co najmniej 1,5 godziny.
23. Nie wolno przemieszczać działającego urządzenia. Aby przemieścić urządzenie, po zakończeniu użytkowania poczekać co najmniej 1,5 godziny. Przed przemieszczeniem urządzenia należy zawsze zamknąć zawór gazu na butli.
24. Gdy urządzenie działa, nie wolno pozostawiać otwartego ognia bez nadzoru.
25. Nie dotykać kamieni dopóki nie ostygną.
26. Po zakończeniu użytkowania zawsze wyłączać dopływ gazu do palnika i zawsze zamykać zawór gazu na butli.
27. Przed założeniem jakiegokolwiek osłony ochronnej poczekać co najmniej dwie godziny od wyłączeniu urządzenia.
28. Nie używać paleniska przy silnym wietrze lub podczas burzy.
29. Paleniska należy używać zawsze na świeżym powietrzu lub w miejscach o dobrej wentylacji. Mogą to być na przykład ogrody zimowe lub werandy. W przypadku miejsca o dobrej wentylacji co najmniej 25% jego powierzchni powinno mieć bezpośredni kontakt z powietrzem zewnętrznym. Powierzchnia jest sumą powierzchni ścian tego miejsca. Wyjaśniono to na ilustracji z prawej.
30. Paleniska nie wolno używać wewnątrz budynków, w domu, w garażu ani w innych przestrzeniach zamkniętych.
31. Należy zachować instrukcje obsługi i montażu dołączone do paleniska. W przypadku odsprzedaży paleniska należy dołączyć do niego te dokumenty.
32. Spożywanie alkoholu lub przyjmowanie narkotyków i pewnych leków może wpływać na zdolność do prawidłowego montażu lub bezpiecznej obsługi paleniska.
33. **Nie wolno** umieszczać ani spalać przedmiotów ani paliw w ogniu palącym się w palenisku.
34. Podpalając palenisko i siedząc blisko niego w odzieży łatwopalnej, należy zachować szczególną ostrożność.
35. Podpalając palenisko, nie należy pochylać się nad palnikiem.
36. Nie należy siadać ani stawać na palenisku, szczególnie jeśli jest włączone.
37. Nie odłączać butli z gazem ani przyłączy, gdy palenisko jest włączone.
38. Nie ustawiać paleniska pod wiszącymi obiektami.
39. Przed włączeniem paleniska upewnić się, że w pobliżu urządzenia znajdują się koc gaśniczy i gaśnica. W przypadku pożaru natychmiast zakryć ogień kocem gaśniczym i upewnić się, że płomień nie jest podsycany tlenem. Pożar najlepiej gasić gaśnicą proszkową. Do gaszenia pożarów paliw **nie wolno** używać wody ani gaśnic proszkowych.
40. Butle z gazem należy przechowywać na świeżym powietrzu lub w miejscach o dobrej wentylacji, zgodnie z obowiązującymi przepisami. Butle z gazem należy również przechowywać w miejscu niedostępnym dla dzieci.
41. Palenisko najlepiej przechowywać w garażu lub miejscu o dobrej wentylacji. Na czas przechowywania odłączyć palenisko od butli z gazem.
42. Palenisko nie służy do gotowania i nie należy używać go w tym celu.
43. Aby uzyskać pomoc lub dodatkowe informacje, należy skontaktować się z technikiem posiadającym uprawnienia, działem pomocy technicznej ds. marki Cosi lub sprzedawcą.



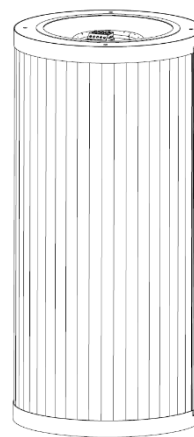
### 3. Zawartość opakowania

Palenisko Cosipillar Curved składa się z następujących części:

Zawartość opakowania:

- A. Cosipillar Curved
- B. Szkło
- C. Kółka (4 szt.)
- D. Złącze (4 szt.)
- E. Pudełko z kamieniami lawowymi (1 szt.)
- F. Bateria AAA

A



B



C



D



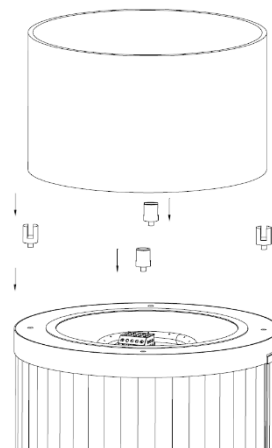
Jedynym elementem, który trzeba dokupić, jest butla z gazem. Można ją nabyć u lokalnego dostawcy gazu. Więcej informacji na temat maksymalnych wymiarów butli można znaleźć w punkcie 6.1.

### 4. Instrukcja montażu

#### 4.1. Ustawianie paleniska

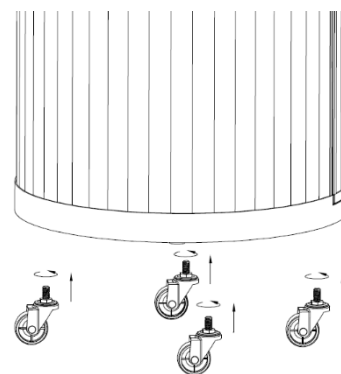
Aby prawidłowo ustawić palenisko, należy wykonać poniższe czynności. **Uwaga:** Podczas wykonywania poniższych czynności palnik nie może być podłączony do butli z gazem.

1. Ostrożnie wyjąć wszystkie części z opakowania i sprawdzić, czy nie brakuje żadnych elementów, posługując się powyższym wykazem.
2. Wybrać miejsce docelowe do ustawienia paleniska. Upewnić się, że palenisko jest ustawione na powierzchni utwardzonej (najlepiej na kamieniu). Powierzchnia powinna być zupełnie płaska i czysta. Ponadto palenisko powinno znajdować się w odległości co najmniej dwóch metrów od materiałów i cieczy łatwopalnych.
3. Palenisko jest dostarczane z fabrycznie zamontowanymi regulowanymi nogami. Jeżeli palenisko jest ustawione na powierzchni, która nie jest pozioma, można je wypoziomować regulowanymi nogami.
4. Umieścić cztery łączniki (D) w czterech otworach na górze filaru. Następnie umieścić szklaną (B) w zagłębieniach czterech łączników.



Chcesz, żeby palenisko Cosipillar dało się łatwiej przemieszczać? W takim razie wymień regulowane nóżki na dostarczane oddzielnie kółka (C). Można to zrobić w następujący sposób:

- Upewnij się, że Cosipillar nie jest podłączony do butli z gazem; że butla z gazem nie znajduje się wewnątrz modelu; oraz że szkło i kamienie lawy zostały usunięte.
- Poproś drugą osobę o ostrożne przechylenie filaru, tak aby dwie regulowane nóżki stały się łatwo dostępne z jednej strony. **Uwaga:** górna część paleniska Cosipillar jest luźna, dlatego nie przechylaj go od góry. Najlepiej trzymać korpus filaru.
- Gdy filar jest przechylony, odkręć nóżki znajdujące się na spodzie modelu i zastąp je kółkami (C). Następnie przechyl go na drugą stronę, aby odkręcić kolejne dwie nóżki, po czym przykręć do modelu pozostałe dwa kółka. Zalecamy umieszczanie kółek wyposażonych w hamulec po przekątnej względem siebie, a nie bezpośrednio jedno obok drugiego.



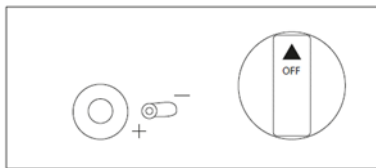
#### 4.2. Przygotowanie przed użyciem

##### 4.2.1. Wkładanie lub wyjmowanie baterii

Palenisko jest wyposażone w zapalnik piezoelektryczny i zasilane jedną baterią AAA. Baterię można włożyć lub wyjąć w następujący sposób:

- Upewnij się, że palenisko i kamienie wystarczająco ostygły.
- Upewnij się, że palenisko zostało odłączone od butli z gazem.
- Obok pokrętki na panelu sterowania znajduje się mniejszy czarny przycisk. Służy on do włączania zapłonu i zasłania komory baterii.

- Teraz można odkręcić czarny przycisk zapłonu i włożyć baterię, zwracając uwagę na kierunek jej włożenia (oznaczenia +/-). Następnie zamknąć przycisk zapłonu.



- Jeżeli palenisko jest często używane, bateria ulega zużyciu. Zużyte baterie należy wrzucać do odpowiednio oznaczonych pojemników.

#### 4.2.2. Układanie kamieni

Po prawidłowym ustawieniu paleniska można ułożyć kamienie w palniku. Kamienie lawowe są dołączane do każdego paleniska. Kamienie lawowe nie można układać ze żwirem, ponieważ grozi to zatkaniem otworów w palniku. Ostrożnie ułożyć kamienie w palniku i na nim. Kamieni nie należy umieszczać w zapłonie.



Jeśli chcesz ponownie zamówić panele szklane lub kamienie lawowe, możesz to zrobić pod adresem, pod którym dokonano zakupu.

#### 4.2.3. Wkładanie lub wyjmowanie butli z gazem

Czy butla z gazem ma prawidłowe wymiary (patrz punkt 6. Specyfikacje techniczne)? Jeśli tak, do butli z gazem można podłączyć regulator ciśnienia gazu palnika. W tym celu do butli należy dopasować regulator ciśnienia gazu. Wkręcić nakrętkę regulatora ciśnienia gazu. **Nie** używać narzędzi.

Następnie można umieścić butlę z gazem w obudowie butli z gazem paleniska. Nie jest to jednak obowiązkowe. Butlę można również ustawić poza urządzeniem.

##### - Umieszczanie butli z gazem w urządzeniu

1. Po jednej stronie paleniska Cosipillar znajduje się element zawierający butlę z gazem. Butlę z gazem zawsze umieszczaj pionowo na stalowej ramie. **Nigdy nie wolno** kłaść jej w urządzeniu w pozycji leżącej lub przechylonej. Możesz przymocować pojemnik do ściany bocznej za pomocą czarnego paska. Dzięki temu ograniczysz ryzyko przewrócenia się butli z gazem.
2. Upewnić się, że butla z gazem jest podłączona do dołączonego regulatora ciśnienia gazu, po czym przed włączeniem paleniska otworzyć zawór na butli z gazem.
3. Upewnić się, że wąż gazu jest zawsze wygięty w dół do butli z gazem. Dopilnować, żeby wąż gazu nie miał kontaktu z gorącymi powierzchniami urządzenia.
4. Po wyłączeniu paleniska należy zawsze wyłączać dopływ gazu do palnika i zamknąć zawór gazu na butli.

##### - Umieszczanie butli z gazem poza urządzeniem

Jeżeli butla z gazem jest zbyt duża i nie mieści się w palenisku, można ustawić ją poza paleniskiem. W tym celu należy wykonać następujące czynności:

1. Wąż gazowy można poprowadzić na zewnątrz paleniska Cosipillar – pod podstawą filaru lub przez drzwiczki (co oznacza, że drzwiczki się nie zamkną).
2. Wąż gazu znajdujący się w zestawie ma 1,5 m długości. Ustawić butlę z gazem w odległości maksymalnie 1 m od paleniska. Nie prowadzić węża gazu przez taras. W przeciwnym razie ludzie lub zwierzęta mogą się o niego potykać. W związku z tym butlę z gazem należy zawsze ustawiać w miejscu nieuczęszczanym przez osoby dorosłe oraz niedostępnym dla dzieci i zwierząt.
3. Przed włączeniem paleniska upewnić się, że butla z gazem jest podłączona do dołączonego regulatora ciśnienia gazu i otworzyć zawór na butli.
4. Jeżeli palenisko nie jest używane, należy zawsze wyłączać dopływ gazu do palnika i zamykać zawór gazu na butli.

Jeżeli butla z gazem jest pusta i trzeba ją wymienić, należy upewnić się, że zawór gazu jest zawsze zamknięty i ręcznie odkręcić regulator ciśnienia gazu od butli. Upewnić się również, że palenisko i kamienie wystarczająco ostygły! Odstawić dotychczasową butlę i w razie potrzeby podłączyć nową butlę bezpośrednio do regulatora ciśnienia gazu, zgodnie z powyższym opisem. Pustą butlę można wymienić lub napełnić u lokalnego sprzedawcy gazu. Po podłączeniu nowej butli należy **zawsze** sprawdzić wszystkie przyłącza gazu pod kątem nieszczelności (patrz punkt 5.5.).

## 5. Instrukcje dotyczące obsługi

### 5.1. Instrukcja włączania zapłonu

- Sprawdzić, czy palenisko jest stabilne i nieruchome.
- Upewnić się, że palenisko jest podłączone do napełnionej butli z gazem, a w zapłonie znajduje się naładowana bateria. Nacisnąć i przytrzymać mały, czarny przycisk (zapłonu), dopóki nie rozlegnie się ciche kliknięcie, które oznacza zapłon piezoelektryczny. Jeżeli po naciśnięciu przycisku zapłonu nie rozlegnie się żaden dźwięk, prawdopodobnie trzeba wymienić baterię. Podczas włączania dopływu gazu poprzez przekręcenie dużego pokrętła (dopływu gazu) na pozycję „HIGH” przytrzymać wciśnięty przycisk zapłonu. Palnik powinien zapalić się w ciągu 15 minut. Po pojawieniu się płomieni przytrzymać pokrętło regulacyjne przez kolejne 15 sekund. Płomienie teraz nie zgasną. Jeżeli płomienie gasną, należy spróbować ponownie i jeszcze dłużej przytrzymać przycisk dopływu gazu.
- Jeżeli palnik nadal się nie zapala, należy skontaktować się ze sprzedawcą.

### 5.2. Pierwsze użycie



**Uwaga!** Jeżeli palenisko jest używane po raz pierwszy, należy dopilnować, żeby zostało włączone na najwyższym ustawieniu przez 15 minut. Dzięki temu można odpowiednio rozgrzać kamienie i sprawić, że znikną z nich wszelkie wyrzuszenia lub pęcherzyki powietrza. Podczas pierwszego użycia i przy zawilgoconych kamieniach lawowych (np. wskutek opadów deszczu) odsunąć się od palnika na co najmniej **dwa metry** i sprawdzić, czy w obrębie tych **dwóch metrów** wokół paleniska nie znajdują się **żadne** materiały łatwopalne. Po usunięciu pęcherzyków powietrza z kamieni lawowych kamienie mogą podskoczyć, a jeśli były zawilgocone — nawet wyskoczyć z palnika.

Aby wyczyścić lub przemieścić kamienie po zakończeniu użytkowania, należy **zawsze** upewnić się, że ich temperatura odpowiednio spadła!

Kamienie mogą z biegiem czasu czernieć. Zjawisko to wynika z osadzania się sadzy i zachodzi zawsze w urządzeniach, w których wydzielany jest żółty płomień. Sadzę można usunąć, przedmuchiując/odkurzając kamienie odkurzaczem. Sadzę można również zeszczotkować suchą szczotką.

### 5.3. Wyłączenie paleniska

- Aby wyłączyć palenisko, należy przekręcić pokrętło regulacyjne na pozycję „OFF” w celu wygaszenia płomieni. Po całkowitym wygaszeniu płomieni zamknąć zawór gazu na butli z gazem.
- Przed założeniem osłony na palnik zaczekać, aż palenisko i kamienie całkowicie ostygną.

### 5.4. Przemieszczanie urządzenia

Palenisko Cosipillar jest dostarczane w komplecie z czterema kółkami. Kółek tych używa się do łatwego przemieszczania paleniska Cosipillar w inne miejsce, dzięki czemu możesz cieszyć się nim w różnych punktach w ogrodzie lub na tarasie. Krok 4.1 pokazuje, w jaki sposób można zamontować kółka.

Uwaga: jeśli chcesz przenieść palenisko Cosipillar, upewnij się, że zostało odłączone i całkowicie ostygło. Aby przemieścić palenisko Cosipillar, zwolnij hamulec na kółkach i popchnij lub pociągnij korpus. **Uwaga:** Jeśli chcesz przesunąć filar, nie podnoś ani nie naciskaj na szybę; znajduje się ona luźno na górze urządzenia. Zachowaj ostrożność! Palenisko Cosipillar może się przewrócić, jeśli użyjesz zbyt dużej siły. Czy palenisko Cosipillar jest teraz w pożądanym miejscu? Jeśli tak, włącz hamulec przy kółkach, zanim zaczniesz używać paleniska.

### 5.5. Wymiana węża gazu i regulatora ciśnienia gazu

Okres użytkowania węża do propanu wynosi 5–10 lat. Wąż gazu i regulator ciśnienia gazu należy wymieniać co 5 lat. Po wymianie regulatora ciśnienia gazu i węża gazu oraz przed każdym użyciem urządzenie trzeba sprawdzić pod kątem nieszczelności. W tym celu należy:

- Otworzyć butlę z gazem, ale **nie** włączać urządzenia (pokrętło regulacyjne pozostaje w pozycji „OFF”)!
- Sporządzić mieszaninę zawierającą 50% detergentu i 50% wody, po czym nanieść ją na wszystkie przyłącza i wąż gazu. Jeżeli jakiegokolwiek przyłącze lub wąż jest nieszczelne(-y), pojawią się pęcherzyki powietrza.
- Pęcherzyki powietrza informują o nieszczelności, dlatego po ich wystąpieniu należy niezwłocznie zamknąć zawór gazu na butli z gazem. Wymienić wąż lub regulator ciśnienia gazu na nowy i ponownie wykonać sprawdzenie. Włączyć zapłon urządzenia dopiero wtedy, gdy nie powstają nowe pęcherzyki.
- Jeżeli problem nie ustępuje, skontaktować się z gazownikiem.

Aby wymienić wąż gazu i/lub regulator ciśnienia gazu, należy zamontować je w taki sam sposób, jak przy pierwszym montażu. Wąż gazu powinien mieć maksymalnie 2,5 m długości. Specyfikacje techniczne regulatora ciśnienia gazu można znaleźć w punkcie 6. Specyfikacje techniczne. W razie wątpliwości należy zawsze konsultować się z gazownikiem.

#### 5.6. Postępowanie w przypadku problemów

Oczywiście dokładamy wszelkich starań, aby oferowany przez nas produkt był bezpieczny. W związku z tym należy zawsze przestrzegać instrukcji i zaleceń zawartych w niniejszym podręczniku.



##### *Instrukcja gaszenia palenisk Cosi*

W przypadku jakichkolwiek problemów należy niezwłocznie odciąć dopływ gazu. Aby to zrobić, należy przekręcić pokrętkę regulacyjną na pozycję „OFF” i zakręcić butlę z gazem. W większości przypadków płomień powinien zostać od razu wygaszony.

W razie jakiegokolwiek wycieku gazu z węża, który powoduje, że płomień nie gasną, płomień można ugasić kocem gaśniczym lub gaśnicą proszkową. Używając koca gaśniczego, pożar można ugasić na wczesnym etapie. Gaśnica proszkowa nadaje się również do gaszenia pożarów wywołanych propanem/butanem. **Nie wolno** gasić pożaru żadnym innym typem gaśnicy.

## 6. Specyfikacja techniczna

<b>Cosipillar Curved</b>	
Typ/kategoria:	Przenośne urządzenie grzewcze do użytku na świeżym powietrzu
Typ gazu i ciśnienie gazu:	Butan/propan I3B/P(30) 28–30 mbarów (NL, UAE, LU, NO, SE, DK, FI, CZ, GR, LU, TR, UA, PL) I3+(28-30/37) — propan 37 mbar — butan 28–30 mbarów (BE, LU, FR, GB, ES, CZ, PT, GR, LT, CH, IT, ES, IS) Propan/butan: I3B/P(50) — 50 mbarów (DE, AT, CH)
Moc grzewcza:	4 kW / 4 kW / 5 kW
Zużycie gazu:	(291 g/h) / (G30: 291 g/h, G31: 286 g/h) / (364 gr/h)
Wyprodukowano w:	Chinach

### 6.1. Jakiej butli używać w palenisku?

Poniżej wskazano wymiary butli z gazem. Palenisko poddano kompleksowym testom pod kątem butli z propanem. W związku z tym należy zawsze używać butli z propanem. Użycie butli z innym gazem/paliwem może skutkować innym zachowaniem płomienia, a w nawet doprowadzić do uszkodzenia mienia lub obrażeń ciała bądź zranienia zwierząt. W razie jakichkolwiek wątpliwości dotyczących butli z gazem należy zawsze kontaktować się z działem pomocy technicznej firmy Cosi lub z gazownikiem.

Maksymalna średnica butli z gazem wynosi 320 mm, a jej maksymalna wysokość wraz z regulatorem ciśnienia gazu wynosi 520 mm.

Paleniska Cosipillar Curved stanowią część naszej kolekcji Cosi. Cosi to marka firmy Gimeg Nederland B.V.

Wszystkie nagrzewnice gazowe są testowane i certyfikowane przez jednostkę KIWA / GASTEC Nederland oraz opatrzone oznakowaniem CE i znakiem jakości UKCA.

### 6.2. Gwarancja na palenisko

Firma Gimeg Nederland B.V. oferuje dwuletnią gwarancję obejmującą instalację gazową paleniska. Gwarancja nie obejmuje niewłaściwego użytkowania lub nieprawidłowego montażu produktu. Palenisko Cosipillar Curved jest wykonane z aluminium. Aby nie uszkodzić paleniska podczas przemieszczania, należy zawsze zachować ostrożność. Informacje nieujęte w niniejszym podręczniku można znaleźć na naszej stronie internetowej. W tym celu należy zeskanować kod QR lub w pasku przeglądarki wpisać adres [www.cosi-fires.com](http://www.cosi-fires.com).



Dane do kontaktu z firmą Gimeg Nederland B.V. podano poniżej:

Atoomweg 99  
3542 AA Utrecht  
Holandia  
+31(0)306629500  
[info@cosi-fires.com](mailto:info@cosi-fires.com)



## 1. Giriş

Cosipillar Curved satın aldığınız için tebrik ederiz. Ateş çukurunuzdan hoşlanacağınızı umuyoruz ve bulunduğunuz konumdan ürününüzün fotoğraflarını paylaşıp Facebook (@cosifires) ve Instagram (@cosi\_fires) adreslerinde bizi etiketlerseniz çok mutlu oluruz!



Sıkça sorulan sorular ve bakım ipuçları için, QR kodu taratarak web sitemizi ziyaret edin veya [www.cosi-fires.com](http://www.cosi-fires.com) adresine gidin.

## 2. Güvenlik Talimatları

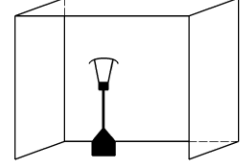


**UYARI:** Yangın, patlama, kişi ve nesnelere diğer hasar ve/veya yaşam kaybını önlemek için bu kullanıcı kılavuzundaki güvenlik talimatlarına her zaman harfiyen uyduğunuzdan emin olun. Cihazı kurmadan ve kullanmadan önce bu montaj talimatlarını ve güvenlik talimatlarını dikkatlice okuyun.

1. Ateş çukuru her zaman verilen montaj talimatlarına göre doğru şekilde monte edilmelidir.
2. Bu cihazın gaz teknik sistemindeki hiçbir şeyi asla değiştirmeyin. Sistemdeki herhangi bir değişiklik tehlikeli olabilir ve cihazın garantisini geçersiz kılar.
3. Cihazdaki hatalı kurulumlar, ayarlar veya değişiklikler yaralanma veya mülkiyet hasarı ile sonuçlanabilir.
4. Hatalı kullanım veya talimatlara uyulmaması durumunda, her tür yükümlülük reddedilir ve garanti geçerli olmaz.
5. Bu cihaz, yürürlükteki yönetmeliklere uygun şekilde kullanılmalıdır. Gaz silindiri de bu yönetmeliklere uygun olarak saklanmalıdır.
6. Herhangi bir zamanda gaz kokusu alırsanız: Ateş çukurunun gaz beslemesini derhâl kapatın, çukurun yakınındaki tüm açık alevleri söndürün ve ateş çukurunu tekrar açmayın. Gaz kokusu almaya devam mı ediyorsunuz? Ateş çukurundan uzaklaşın ve bir gaz teknik uzmanını arayın.
7. Ateş çukuru sert, sabit bir zemine yerleştirilmelidir.
8. Ateş çukuru yalnızca propan gazlı silindirelerle kullanım için uygundur. Hiçbir zaman bu kılavuzda tanımlananlar dışında bir yakıt kullanmayın. Daha fazla bilgi için bkz. madde 6. 'Teknik özellikler'.
9. Gaz silindirini her zaman dik konumda yerleştirin. Gaz silindiri hiçbir zaman yere yatırılmış şekilde veya cihaz yan yatırılmış şekilde yerleştirilmemelidir.
10. Cihazın etrafında en az 2 metrelik bir alanda tutuşabilir sıvılar, materyaller, sıvılar ve buharlar tutmayın.
11. Her kullanımdan önce, brülöre giden gaz hortumu bağlantısının, gaz hortumundaki gaz basıncı regülatörünün ve gaz silindirindeki gaz basıncı regülatörünün doğru takılıp takılmadığını ve gevşek olmadığını kontrol edin. Bağlantıları kontrol ederken, her zaman gaz silindirindeki gaz vanasının kapalı olduğundan emin olun. Bağlantılar gevşek ise, cihazı kullanmadan önce her zaman sıkın.
12. Gaz silindirini açık havada, tutuşma kaynaklarından (mumlar, sigaralar, diğer alev üreten cihazlar) uzakta değiştirin.
13. Gaz bağlantısının yeniden bağlandığı her seferinde ve her kullanım öncesinde, madde 11'de söz edilen bağlantılar ve gaz hortumu sızıntı olup olmadığını görmek için kontrol edilmelidir. Gaz hortumu ve gaz basıncı regülatörü, öngörülen aralıklar içinde değiştirilmelidir (bkz. madde 5.5.).
14. Gaz hortumu hiçbir zaman brülörün sıcak yüzeyi ile temas etmemelidir. Hortumun her zaman gaz silindirine doğru, doğrudan aşağı yönde büküldüğünden ve brülörün yüzeyine değmediğinden emin olun.
15. Gaz hortumu, ulusal olarak geçerli yasa ve yönetmeliklere uygun olmalıdır (EN16436). Hortum, temin edilen gaz basıncı regülatörüne bağlanır. Gaz silindirini hiçbir zaman bir gaz basıncı regülatörü olmadan doğrudan cihaza bağlamayın.
16. Gaz basıncı regülatörü 28-30 mbar, 37 mbar veya 50 mbar olarak ayarlanmıştır ve gaz basıncı regülatörünün çıkış basıncı 28-30 mbar, 37 mbar veya 50 mbar'dır. Gaz basıncı regülatörü, her ülkeye göre özel gaz kategorisine ayarlanmalıdır, bkz. madde 6. 'Teknik özellikler'. Regülatör EN 16129 standardına uygun olmalıdır.
17. Brülörün hava valfi ayarlarını asla değiştirmeyin. Ateş halkasının hava delikleri tıkanmışsa, derhâl bir gaz teknik uzmanı ile görüşün.
18. Cihaza serbest hava ve oksijen akışını asla engellemeyin.
19. Bu cihazın enjektörü çıkarılmamalıdır ve enjektör yalnızca bir uzman tarafından takılmalı ve/veya değiştirilmelidir.
20. Cihazın bir gaz basıncından diğer bir gaz basıncına geçirilmesine izin verilmez. Her zaman öngörülen gaz basıncı regülatörünü kullanın (bkz. madde 6. 'Teknik özellikler').



21. Bu cihazda açık alev vardır, çalıştırma sırasında çocukların ve evcil hayvanların yanında her zaman yetişkin ve sorumlu bir kişi olduğundan emin olun. Ateş çukuru çocuklar tarafından kullanılmalıdır.
22. **UYARI:** Çocukları ve evcil hayvanları cihazdan oldukça uzakta tutun. Cosi ocak, kullanıldığı zaman çok sıcak hâle gelen parçalara sahiptir. Kullanım sonrasında, çocukların ve evcil hayvanların cihazın yakınına gelmesine izin vermeden önce aygıtın yeterince soğumasını bekleyin. En az 1,5 saat beklenmesi önerilir.
23. Cihaz kullanımdayken asla yerinden oynatmayın. Her kullanım sonrasında, cihazı taşımadan önce en az 1,5 saat bekleyin. Cihazı taşımadan önce her zaman gaz şişesinin gaz vanasını kapatın.
24. Kullanım sırasında açık alevi asla gözetimsiz bırakmayın.
25. Tamamen soğuyana kadar lav taşlara dokunmayın.
26. Kullanım sonrasında, brülördeki gaz beslemesini her zaman kapatın ve gaz silindiriindeki gaz vanasını her zaman kapatın.
27. Herhangi bir koruyucu kapak takmadan önce, ateş çukurunu kapattıktan sonra en az iki saat bekleyin.
28. Şiddetli rüzgârlar varken veya fırtınalı havada ateş çukurunu kullanmayın.
29. Ateş çukuru her zaman açık alanda veya çok iyi havalandırılan alanlarda kullanılmalıdır. Bunlar örneğin kış bahçeleri veya verandalar olabilir. İyi havalandırılan bir alan için, yüzey alanının en az %25'i dış hava ile doğrudan bağlantı içinde olmalıdır. Yüzey alanı, alanı çevreleyen duvarların toplamıdır. Açıklama için sağ taraftaki resme bakın.
30. Ateş çukurunu hiçbir zaman bir bina, ev, garaj veya diğer kapalı alan içinde kullanmayın.
31. Kullanım ve montaj talimatları ateş çukuruyla birlikte tutulmalıdır. Üçüncü taraflara satış durumunda bu belgeler de temin edilmelidir.
32. Alkol, uyuşturucu ve belirli ilaçların kullanımı ateş çukurunu doğru şekilde monte etme veya güvenli şekilde çalıştırma yeteneğini etkileyebilir.
33. Ateş çukurundaki ateşin içine nesnelere veya yakıtlar **koymayın** veya **yakmayın**.
34. Ateş çukurunu tutuştururken ve yakınında otururken kolay tutuşabilir giysiler giyiyorsanız ekstra dikkatli olun.
35. Ateş çukurunu tutuştururken brülörün üzerine eğilmeyin.
36. Özellikle kullanımda olduğu sırada ateş çukurunun üzerine oturmayın ve/veya üzerinde durmayın.
37. Ateş çukuru kullanımda iken gaz silindirini çıkarmayın veya bağlantılarını kesmeyin.
38. Ateş çukurunu sarkan nesnelere altına yerleştirmeyin.
39. Cihazı kullanmadan önce yakınlarda bir yangın battaniyesi ve yangın söndürücü toz bulundurduğunuzdan emin olun. Yangın durumunda, yangın battaniyesini hemen ateşin üzerine koyun ve alevlerin oksijene maruz kalmamasını sağlayın. Yangını söndürmenin en iyi yolu bir yangın söndürücü toz kullanmaktır. Yakıt kaynaklı yangınlarda **asla** su veya köpük söndürücüler kullanmayın.
40. Gaz silindirleri açık alanda veya yürürlükteki yönetmeliklere uygun olarak iyi havalandırılan alanlarda saklanmalıdır. Gaz silindirlerini çocukların ulaşamayacağı bir yerde saklayın.
41. Ateş çukuru en iyi şekilde bir garajda veya iyi havalandırılan bir alanda saklanır. Ateş çukurunu ancak gaz silindirinden çıkarıldığı zaman depolayın.
42. Ateş çukuru bir pişirme cihazı olarak onaylanmamıştır ve bu nedenle bu amaçla kullanılmalıdır.
43. Yardım veya ilave bilgiler için lisanslı bir teknisyen, Cosi yardım masası veya satıcı ile iletişime geçin.



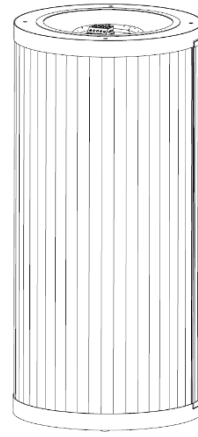
### 3. Paket içeriği

Cosipillar Curved aşağıdaki parçalarla birlikte gelir:

Paket içeriği:

- A. Cosipillar Curved
- B. Cam
- C. 4x adet tekerlek
- D. 4x konektör parçası
- E. 1x kutu lav taşı
- F. AAA pil

A



B



C



D



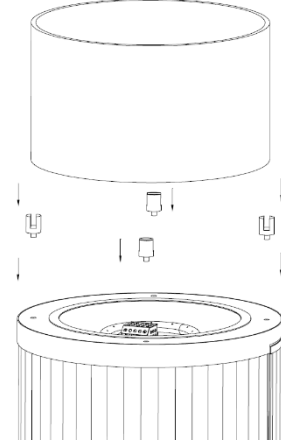
Satın almanız gereken tek şey bir gaz silindiridir. Bunu yerel gaz tedarikçinizden temin edebilirsiniz. Gaz silindirinin maksimum boyutlarına ilişkin daha fazla bilgiyi madde 6.1 'Teknik özellikler' bölümünden edinebilirsiniz.

### 4. Montaj Talimatları

#### 4.1. Ateş çukurunun yerleştirilmesi

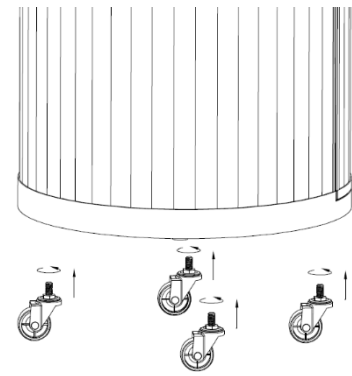
Ateş çukurunu doğru şekilde monte etmek için aşağıdaki adımları izleyin. **Not:** Aşağıdaki adımları yerine getirirken brülörün henüz bir gaz silindirine bağlanmadığından emin olun!

1. Tüm parçaları ambalajdan dikkatlice çıkarın ve her şeyin yukarıdaki genel bakışa uygun şekilde var olduğunu kontrol edin.
2. Ateş çukurunu kullanmak istediğiniz yeri seçin. Ateş çukurunun kaplanmış (tercihen taş) bir yüzeye konulduğundan emin olun. Yüzey tamamen düz ve temiz olmalıdır. Ayrıca, ateş çukuru yanıcı materyaller ve sıvılardan en az iki metre uzağa yerleştirilmelidir.
3. Ateş çukuru altta ayarlanabilir ayaklarla birlikte gelir. Ateş çukuru tam düzgün olmayan bir yüzeyde ise, ateş çukurunu düz konuma getirmek için ayarlanabilir ayakları kullanabilirsiniz.
4. Dört konektör parçasını (D) sütunun üstündeki dört deliğe yerleştirin. Ardından, camı (B) dört konektör parçasının girintilerine yerleştirin.



Cosipillar'ı daha kolay taşınır hâle getirmek ister misiniz? O hâlde ayarlanabilir ayakları ayrı olarak temin edilen tekerleklerle (C) değiştirebilirsiniz. Bu işlem şu şekilde yapılabilir:

- Cosipillar'ın bir gaz şişesine bağlı olmadığından, modelin içinde bir gaz şişesi bulunmadığından ve cam ile lav taşlarının çıkarılmış olduğundan emin olun.
- İkinci bir kişiden Cosipillar'ı dikkatli bir şekilde biraz eğmesini isteyin, böylelikle iki ayarlanabilir ayağa bir taraftan kolaylıkla erişilebilir. **Lütfen unutmayın:** Cosipillar'ın üst tarafı serbesttir, bu yüzden üstten eğmeyin. En iyi yöntem Cosipillar'ın gövdesini tutmaktır.
- Cosipillar eğilirken, ayakları modelin alt kısmından çevirerek çıkarın ve bunların yerine tekerlekleri (C) takın. Ardından Cosipillar'ı diğer tarafa doğru eğin ve diğer iki ayakları çevirerek çıkarın ve geri kalan iki tekerleği modele çevirerek takın. Freni olan tekerlekleri birbirine çaprazlama yerleştirmenizi öneririz, birbirinin hemen yanına yerleştirmeyin



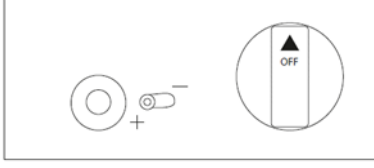
#### 4.2. Kullanım Hazırlığı

##### 4.2.1. Pilin takılması veya değiştirilmesi

Ateş çukurunda bir piezo kontak vardır ve bir AAA pil ile çalışır. Pilleri şu şekilde takabilir veya değiştirebilirsiniz:

- Ateş çukuru ve lav taşların tamamen soğuduğundan emin olun.
- Ateş çukurunun bir gaz silindirine bağlı olmadığından emin olun.
- Kontrol panelinde, kontrol düğmesinin yanında küçük siyah bir düğme vardır. Bu, kontakdır ve pili içerir.

- Artık siyah kontak sayacını saat yönünde gevşetip +/- tarafına dikkat ederek pili kontağın içine yerleştirebilirsiniz. Ardından kontağı yeniden kapatın.



- Sık kullanımın ardından, pil azalabilir. Pili değiştirdiniz mi? Ardından boş pili bir toplama noktasına geri götürün.

#### 4.2.2. Lav taşların yerleştirilmesi

Ateş çukurunu doğru şekilde yerleştirdikten sonra, lav taşları brülöre yerleştirebilirsiniz. Lav taşlar her ateş çukurunda bulunur. Lav taşlarını çakıl olmadan elle alın, aksi takdirde brülör delikleri tıkanabilir. Lav taşları dikkatlice brülörün içine ve üzerine yerleştirin. Kontak ünitesinde lav taşı olmasın.



Yeniden cam veya lava kaya sipariş etmek isterseniz, satın alma adresinize sipariş verebilirsiniz.

#### 4.2.3. Gaz silindirin yerleştirilmesi veya değiştirilmesi

Doğru boyutta bir gaz silindiri satın aldınız mı (bkz. madde 6. 'Teknik özellikler')? Ardından brülörün gaz basıncı regülatörünü gaz silindirine bağlayabilirsiniz. Bunu şu şekilde yapmalısınız: gaz basıncı regülatörünü gaz silindirine takın. Gaz basıncı regülatörünün somununu elle sıkın, başka alet **kullanmayın**.

Bunun ardından gaz silindirini ateş çukurunun gaz silindiri ünitesine yerleştirebilirsiniz. Ancak bu zorunlu değildir. Gaz silindirini cihazın dışına yerleştirmeyi tercih edebilirsiniz.

##### - Gaz silindirinin cihaza takılması

1. Cosipillar'ın bir tarafında bir gaz silindiri ünitesi bulunur. Gaz silindirini her zaman çelik çerçeveye dik bir şekilde yerleştirin. Gaz silindiri cihaza **hiçbir zaman** aşağı bakacak şekilde veya eğilmiş şekilde yerleştirilmemelidir. Metal kutuyu yan duvara tutturmak için siyah kayışı kullanabilirsiniz. Bu işlem, gaz silindirinin devrilme olasılığını azaltacaktır.
2. Gaz silindirinin gaz basıncı regülatörüne bağlı olduğundan emin olun ve ateş çukurunu kullanmak istediğiniz zaman gaz silindiri vanasını açın.
3. Gaz hortumunun her zaman gaz silindirine doğru büküldüğünden emin olun. Gaz hortumunun hiçbir zaman cihazın sıcak yüzeylerine doğru bastırılmadığından emin olun.
4. Ateş çukurunu kullanmıyor musunuz? O hâlde, brülördeki gaz beslemesini kapatın ve gaz silindirindeki gaz vanasını kapatın.

##### - Gaz silindirinin cihazın dışına takılması

Örneğin belirtilenden daha büyük kapasiteli bir gaz silindiri kullandığınız için gaz silindirini ateş çukurunun içine yerleştirmek istemiyor musunuz? O hâlde gaz silindirini ateş çukurunun dışına da yerleştirebilirsiniz. Bunu şu şekilde yapabilirsiniz:

1. Gaz hortumu, Cosipillar'ın tabanının altından yönlendirilerek veya kapıdan geçirilerek (bu durumda kapı kapanmayacaktır) Cosipillar'ın dışından yönlendirilebilir.
2. Dâhil olan gaz hortumu 1,5 metre uzunluğundadır. Dolayısıyla, gaz silindirini ateş çukurundan en fazla 1 metre mesafeye yerleştirin. Gaz hortumunu terasta açıkta kalacak şekilde yerleştirmeyin. İnsanlar veya evcil hayvanlar gaz hortumuna takılabilir. Bu nedenle, gaz silindirini her zaman insanların yürümediği ve çocukların ve evcil hayvanların ulaşamayacağı bir yere yerleştirin.
3. Gaz silindirinin gaz basıncı regülatörüne bağlı olduğundan emin olun ve ateş çukurunu kullanmak istediğiniz zaman gaz silindiri vanasını açın.
4. Ateş çukurunu kullanmıyor musunuz? O hâlde, brülördeki gaz beslemesini kapatın ve gaz silindirindeki gaz vanasını kapatın.

Gaz silindiri boş ve değiştirmeniz mi gerekiyor? Gaz vanasının her zaman kapalı olduğundan emin olun ve gaz basıncı regülatörünü elle gaz silindirinden dışarı döndürün. Ayrıca, ateş çukuru ve lav taşların tamamen soğuduğundan emin olun! Eski silindiri çıkarın ve, gerekirse, yeni gaz silindirini yukarıdaki açıklamaya uyararak doğrudan gaz basıncı regülatörüne bağlayın. Boş silindiri değiştirebilir veya yerel gaz tedarikçinizde

doldurabilirsiniz. Yeni bir silindir taktıktan sonra, sızıntı olup olmadığını görmek için tüm gaz bağlantılarını **her zaman** kontrol edin (bkz. madde 5.5.).

## 5. Kullanım Talimatları

### 5.1. Ateşleme talimatları

- Ateş çukurunun sabit ve sağlam olduğunu kontrol edin.
- Ateş çukurunun dolu bir gaz silindirine bağlandığından ve kontağın içine dolu bir pil takıldığından emin olun. Yumuşak bir tıklama sesi duyana kadar küçük siyah düğmeye (kontak düğmesi) tamamen basın, bu piezo kontaklıdır. Kontak düğmesine basarken hiçbir şey duymazsanız, büyük olasılıkla pili değiştirmeniz gerekiyordür. Büyük düğmeyi (gaz beslemesi) 'HIGH' (YÜKSEK) yazısına çevirerek gaz beslemesini açarken kontak düğmesini basılı tutun. Brülör şimdi 15 saniye içinde ateşlemelidir. Brülör tam olarak alev ürettiğinde, kontrol düğmesini 15 saniye daha basılı tutun. Alev artık sabit yanar. Alevler sönüyor mu? O hâlde bu işlemi yeniden deneyin ve gaz besleme düğmesini daha da uzun basılı tutun.
- Brülör yanmamaya devam ederse satıcı ile iletişime geçin.

### 5.2. İlk kullanım



**Not!** Ateş çukurunu ilk kez mi kullanacaksınız? O hâlde cihazın 15 dakika boyunca en yüksek ayara getirildiğinden emin olun. Bu şekilde, lav taşları iyi ısınır ve bu da lav taşlardaki tümsekler veya hava kabarcıklarının giderilmesini sağlar. İlk kullanım sırasında ve lav taşlar ıslandıktan sonra (örneğin, yağmur nedeniyle), brülörle en az **iki metre mesafe** bırakın ve ayrıca bu **iki metrelik çap** içinde çukurun etrafında veya üzerinde yanıcı malzeme **olmadığından** emin olun. Hava kabarcıkları lav taşların dışına yandığından, taşlar ilk seferde ve ıslandıktan sonra zıplayabilir ve bir olasılıkla brülörden dışarı çıkabilir.

Kullandıktan sonra lav taşları temizlemek veya taşımak mı istiyorsunuz? Bu durumda **her zaman** tamamen soğuduklarından emin olun!

Lav taşlar sonuç olarak kararabilir. Bunun nedeni is oluşumudur, sarı alev üreten cihazlarda bu durum yaşanır. Bu is, bir vakumlu kül temizleyici kullanarak lav taşlara hava püskürtme/elektrikli süpürgeyle çekme uygulayarak giderilebilir. Is ayrıca kuru bir fırçayla da fırçalanabilir.

### 5.3. Ateş çukurunun kapatılması

- Ateş çukurunu kapatmak mı istiyorsunuz? Kontrol düğmesini 'OFF' (KAPALI) konuma çevirerek alevi söndürün. Alevler tamamen söndüğünde, gaz silindirindeki gaz vanasını kapatın.
- Brülörün üzerine kapak plakasını yerleştirmeden önce ateş çukuru ve lav taşlar tamamen soğumasını bekleyin.

### 5.4. Cihazın taşınması

Cosipillar dört adet tekerlek ile temin edilir. Bu tekerlekler Cosipillar'ı başka bir yere kolayca taşımak için kullanılabilir, böylece sütunun keyfini bahçenizin çeşitli yerlerinde veya verandaınızda çıkarabilirsiniz. Tekerleklerin nasıl takılacağı adım 4.1'de gösterilmektedir.

**Lütfen unutmayın:** Cosipillar'ı taşımak istiyorsanız, Cosipillar'ın bağlantısının kesildiğinden ve tamamen soğuduğundan emin olun. Tekerleklerdeki freni serbest bırakın ve Cosipillar'ı taşımak için gövdesini itin veya çekin.

**Lütfen unutmayın:** Sütunu hareket ettirmek istiyorsanız, camı kaldırmayın veya itmeyin; bu, cihazın üstüne gevşek bir şekilde oturur. Dikkatli olun; çok fazla güç uygulanırsa Cosipillar düşebilir. Cosipillar istenilen konuma geldi mi? O hâlde Cosipillar'ı kullanmadan önce tekerleklerdeki freni etkinleştirin.

### 5.5. Gaz hortumunun ve gaz basıncı regülatörünün değiştirilmesi

Propan gaz hortumunun kullanım ömrü 5 ila 10 yıl arasındadır. Gaz hortumu ve gaz basıncı regülatörünün 5 yılda bir değiştirilmesi önerilir. Gaz basıncı regülatörü ve gaz hortumunu değiştirdikten sonra ve her kullanım öncesinde gaz sızıntısı olup olmadığını görmek için cihazı kontrol edin. Bu işlem şu şekilde yapılır:

- Gaz silindirini açın ancak cihazı açık konuma **getirmeyin** (kontrol düğmesi 'OFF' konumda kalmalıdır)!
- %50 deterjan ve %50 sudan oluşan bir karışım hazırlayarak tüm bağlantılara ve gaz hortumuna uygulayın. Bağlantılarda veya hortumda gaz sızıntısı varsa hava kabarcıkları oluşur.

- Kabarcıklar görünür hâle gelirse bu durum sızıntı olduğu anlamına gelir. Gaz silindirin gaz vanasını derhâl kapatın. Hortumu veya gaz basıncı regülatörünü yenisiyle değiştirin ve kontrol işlemini bir kez daha yapın. Cihazı ancak daha fazla balon görülmediği zaman ateşleyin.
- Sorun devam ederse bir gaz teknik uzmanıyla görüşün.

Gaz hortumunu ve/veya gaz basıncı regülatörünü mü değiştiriyorsunuz? Bu durumda aynen takıldıkları şekilde takın. Gaz hortumu en fazla 2,5 metre uzunluğunda olmalıdır. Madde 6. 'Teknik özellikler'de, gaz basıncı regülatörünün teknik özelliklerini görebilirsiniz. Şüphenez olduğunda her zaman bir gaz teknik uzmanına danışın.

#### 5.6. Bir şeyler ters giderse ne yapılmalıdır?

Güvenli bir ürün üretmek için elimizden gelen her şeyi yapıyoruz. Bu nedenle, her zaman bu kullanım kılavuzundaki talimatlara ve yönlendirmelere uyun:



#### *Cosi ateş çukurlarını söndürme talimatları*

Bir şeyler ters gittiğinde gaz beslemesini en kısa sürede kesmek önemlidir. Gaz beslemesini durdurmak için kontrol düğmesini derhâl 'OFF' konumuna getirin ve gaz silindirini kapatın. Alevler çoğu durumda hemen sönmelidir.

Gaz hortumunda alevlerin devam etmesine neden olan bir gaz sızıntısı olursa, alevler bir yangın battaniyesi veya bir toz söndürücü kullanılarak söndürülebilir. Yangın battaniyesi ile, yangını erken safhada söndürebilirsiniz. Propan/bütan gazı yangınlarını söndürmek için toz söndürücü de uygun olur. **Asla** başka tipte yangın söndürücü ile söndürmeyin.

## 6. Teknik özellikler

<b>Cosipillar Curved</b>	
Tip / Kategori:	Dış mekân kullanımı için portatif ısıtma teçhizatı
Gazlı tip ve uygun gaz basıncı:	Bütan / Propan I3B/P(30) 28-30 mbar (NL, UAE, LU, NO, SE, DK, FI, CZ, GR, LU, TR, UA, PL) I3+(28-30/37) - Propan 37 mbar – Bütan 28-30 mbar (BE, LU, FR, GB, ES, CZ, PT, GR, LT, CH, IT, ES, IS) Propan / Bütan: I3B/P(50) - 50 mbar (DE, AT, CH)
Isıtma kapasitesi:	4 kW / 4 kW / 5 kW
Gaz tüketimi:	(291 g/sa) / (G30: 291 g/sa, G31: 286 g/sa) / (364 g/sa)
Üretim yeri:	Çin

### 6.1. Ateş çukurunda hangi gaz silindirini kullanıyorsunuz?

Hangi boy gaz silindiri kullanabileceğiniz aşağıda gösterilmiştir. Ateş çukuru propan gazlı silindirler üzerinde kapsamlı şekilde denenmiştir. Bu nedenle, her zaman propan gazlı silindir kullanın. Farklı bir gaz silindiri/yakıt kullanılması farklı ateş davranışları üretebilir veya en kötü durumlarda insanlarda, evcil hayvanlarda veya malzemelerde büyük hasara yol açabilir. Kullanmak istediğiniz belirli bir gaz silindiri konusunda emin değil misiniz? Bu durumda her zaman Cosi yardım masasıyla veya lisanslı bir gaz uzmanıyla görüşün.

Gaz silindirinin maksimum çapı 320 mm'dir, gaz basıncı regülatörü dâhil maksimum yükseklik ise 520 mm'dir.

Cosipillar Curved, Cosi koleksiyonunun bir parçasıdır.  
Cosi, Gimeg Nederland B.V.'nin bir markasıdır.

Tüm Cosi gazlı ısıtıcılar KIWA / GASTEC Nederland tarafından test edilip onaylanmıştır ve CE ve UKCA kalite işaretini taşırlar.

### 6.2. Ateş çukuru garantisi

Gimeg Nederland B.V., ateş çukurunun gaz teknik sistemi için iki yıl garanti sunar. Bu ürünün hatalı kullanımı veya yanlış montajı durumunda garanti sunulmaz. Cosipillar Curved alüminyumdan yapılmıştır. Ateş çukuruna her zaman dikkat edin, taşınması durumunda hasar meydana gelebilir. Bu kılavuzda yer almayan sorularınız mı var? Aradığınız bilgileri web sitemizde bulabilirsiniz. QR kodu taratarak web sitemizi ziyaret edin veya [www.cosi-fires.com](http://www.cosi-fires.com) adresine gidin.



Gimeg Nederland B.V. şirketine aşağıdaki bilgiler aracılığıyla da ulaşabilirsiniz:

Atoomweg 99  
3542 AA Utrecht  
Hollanda  
+31(0)306629500  
[info@cosi-fires.com](mailto:info@cosi-fires.com)

## 1. المقدمة



تهانينا لشرائك موقد Cosipillar Curved الخاص بك. نأمل أن تستمتع بفرن الموقد الذي اشتريته، وسنكون في غاية الامتنان إذا شاركت صورًا للمنتج الذي اشتريته في موقعك وقلت بالإشارة إلينا على صفحتنا على الفيسبوك (@cosifires) وإنستغرام (@cosi\_fires)!

للاطلاع على الأسئلة الشائعة ونصائح الصيانة، تفضل بزيارة موقعنا الإلكتروني من خلال مسح رمز الاستجابة السريعة أو الانتقال مباشرة إلى [www.cosi-fires.com](http://www.cosi-fires.com).

## 2. تعليمات السلامة

**تحذير:** تأكد دائمًا من اتباع تعليمات (السلامة) الواردة في دليل المستخدم بدقة لتجنب مخاطر نشوب حريق أو حدوث انفجارات أو وقوع أي أضرار أخرى للأشخاص والأشياء و/أو وقوع خسائر في الأرواح. قبل تركيب الجهاز واستخدامه، اقرأ تعليمات التجميع هذه وتعليمات السلامة بتأن.

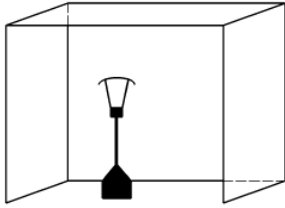


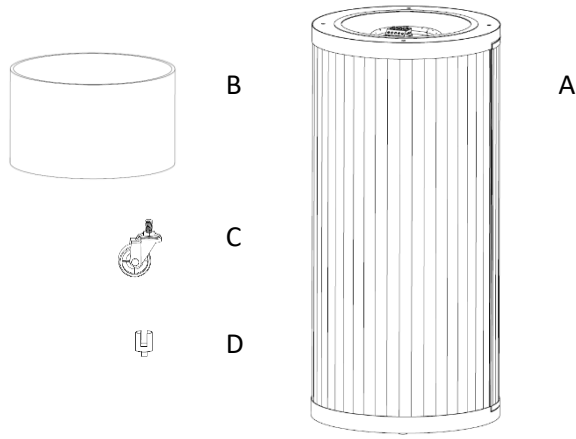
1. يجب دائمًا تجميع فرن الموقد بطريقة صحيحة وفقًا لتعليمات التجميع المتوفرة.
2. لا تقم أبدًا بتعديل أي شيء في النظام التقني للغاز الخاص بهذا الجهاز. إجراء أي تعديلات على النظام قد يسبب خطورة، وبالتالي فإنه سيؤدي إلى إبطال ضمان الجهاز بالكامل.
3. قد يتسبب التركيب غير الصحيح للجهاز أو إجراء أي تغييرات أو تعديلات عليه في حدوث إصابة أو تلف في الممتلكات.
4. في حالة الاستخدام غير السليم أو عدم اتباع تعليمات السلامة، فإن الشركة تنأى بنفسها عن جميع المسؤوليات ولن يتم تطبيق الضمان.
5. يجب استخدام هذا الجهاز وفقًا للوائح المعمول بها. ويجب أيضًا تخزين أسطوانة الغاز وفقًا لهذه اللوائح.
6. إذا شممت رائحة غاز في أي وقت: فأغلق مصدر إمداد الغاز إلى فرن الموقد على الفور، وأطفئ جميع مصادر النيران المكشوفة القريبة منه ولا تشغله مرة أخرى. أما زلت تشم رائحة الغاز؟ ابتعد عن فرن الموقد واتصل بأخصائي تقني في الغاز.
7. يجب أن يكون فرن الموقد مستويًا على سطح صلب وثابت.
8. فرن الموقد مناسب للاستخدام مع أسطوانات غاز البروبين فقط. لا تستخدم أبدًا أي وقود آخر بخلاف الوقود الموصوف في هذا الدليل. انظر النقطة 6. "المواصفات الفنية" للحصول على مزيد من المعلومات.
9. ضع أسطوانة الغاز دائمًا في وضع رأسي. ويجب عدم وضع أسطوانة الغاز مقلعًا داخل الجهاز في وضع الاستلقاء أو الإمالة.
10. حافظ على وجود مساحة لا تقل عن مترين حول الجهاز خالية من السوائل والمواد والوقود والأبخرة القابلة للاشتعال.
11. تحقق، قبل كل استخدام، ما إذا كان توصيل خرطوم الغاز بالموقد ومنظم ضغط الغاز الموجود في خرطوم الغاز ومنظم ضغط الغاز الموجود على أسطوانة الغاز مثبتين بشكل صحيح وليس مفكوكين. أثناء فحص التوصيلات، وتأكد دائمًا من إغلاق صمام الغاز الموجود على أسطوانة الغاز. إذا كانت التوصيلات غير محكمة الربط، فاحرص دائمًا على إحكام ربطها قبل استخدام الجهاز.
12. استبدل أسطوانة الغاز الموجودة في الهواء الخارجي بعيدًا عن مصادر الاشتعال (الشموع والسجائر وغيرها من الأجهزة المشتعلة).
13. في كل مرة يتم فيها إعادة توصيل وصلة الغاز وقبل كل استخدام، يجب فحص الوصلات المذكورة في النقطة 11 وخرطوم الغاز نفسه للتأكد من عدم وجود تسريبات. يجب استبدال خرطوم الغاز ومنظم ضغط الغاز خلال الفترات الزمنية المحددة (انظر النقطة 5.5).
14. يجب ألا يتلامس خرطوم الغاز مع السطح الساخن للموقد. وتأكد دائمًا من اثناء الخرطوم لأسفل باتجاه أسطوانة الغاز وعدم ملامسته لسطح الموقد.
15. يجب أن يتوافق خرطوم الغاز مع القوانين واللوائح المعمول بها على المستوى الوطني (EN16436). وأن يتم توصيل الخرطوم بمنظم ضغط إمداد الغاز. ويُحظر تمامًا توصيل أسطوانة الغاز بالجهاز مباشرة بدون منظم ضغط الغاز.
16. يتم ضبط منظم ضغط الغاز على 28-30 ملي بار، أو 37 ملي بار أو 50 ملي بار، ويتم ضبط مخرج منظم ضغط الغاز على 28-30 ملي بار، أو 37 ملي بار أو 50 ملي بار. ويجب ضبط منظم ضغط الغاز وفقًا لفئة الغاز المحددة لكل دولة، انظر الجدول الوارد في النقطة 6. "المواصفات الفنية". ويجب أن يتوافق المنظم مع معيار EN 16129.
17. لا تقم أبدًا بتغيير إعدادات صمام الهواء الخاص بالموقد. وإذا تعرضت فتحات التهوية في حلقة الحريق للانسداد، فاتصل على الفور بأخصائي تقني في الغاز.
18. لا تحاول مطلقًا إعاقة التدفق الحر للهواء والأكسجين إلى الجهاز.
19. يجب عدم إزالة حاقن هذا الجهاز، ويجب عدم تركيب و/أو استبدال الحاقن إلا بواسطة فني متخصص.
20. يجب عدم تبديل الجهاز من ضغط غاز إلى ضغط غاز آخر. واستخدم دائمًا منظم ضغط الغاز الموصوف (انظر النقطة 6. "المواصفات الفنية").
21. يُعد هذا الجهاز من أنواع اللهب المكشوف، لذا، تأكد دائمًا من أن الأطفال والحيوانات الأليفة يخضعون لإشراف شخص ناضج ومسؤول أثناء التشغيل. ويجب عدم السماح للأطفال بتشغيل فرن الموقد.





22. **تحذير:** يجب إبعاد الأطفال والحيوانات الأليفة عن الجهاز. ويحتوي موقد Cosi على أجزاء ترتفع درجة حرارتها بشدة عند الاستخدام! بعد الاستخدام، انتظر حتى يبرد الجهاز تمامًا قبل السماح للأطفال والحيوانات الأليفة بالاقتراب منه. ويُصح بالانتظار لمدة 1.5 ساعة على الأقل.
23. إذا كان الجهاز قيد الاستخدام، فلا تحركه أبدًا. وبعد الاستخدام، انتظر لمدة 1.5 ساعة على الأقل قبل تحريك الجهاز. قبل تحريك الجهاز، قم دائمًا بإغلاق صمام الغاز الموجود في قنينة الغاز.
24. أثناء الاستخدام، لا تترك اللهب المكشوف دون رقابة.
25. لا تلمس أحجار الحميم حتى تبرد تمامًا.
26. بعد الاستخدام، قم دائمًا بإيقاف تشغيل مصدر إمداد الغاز الموجود بالموقد وأغلق دائمًا صمام الغاز الموجود في أسطوانة الغاز.
27. انتظر لمدة ساعتين على الأقل بعد إطفاء فرن الموقد قبل وضع أي غطاء واقي.
28. لا تستخدم فرن الموقد أثناء هبوب الرياح العاتية أو هياج العواصف.
29. يجب دائمًا استخدام فرن الموقد في الهواء الطلق أو في أماكن جيدة التهوية. ويدخل ضمن هذه الأماكن، على سبيل المثال، المشاتل الزجاجية أو الشرفات. وللحصول على مساحة جيدة التهوية، يجب أن تكون هناك مساحة 25% على الأقل من السطح مفتوحة مباشرة على الهواء الخارجي. والمقصود بمساحة السطح هي مجموع الجدران المحيطة بالمساحة. انظر الصورة جهة اليسار للتوضيح.
30. لا تستخدم فرن الموقد مطلقًا داخل مبنى أو منزل أو مرآب أو أي مكان مغلق آخر.
31. يجب الاحتفاظ بتعليمات التشغيل والتجميع مع فرن الموقد. وفي حالة بيع الموقد لجهات أخرى، فيجب إرفاقه بهذه المستندات.
32. قد يؤثر استخدام الكحول والمخدرات وبعض العقاقير على القدرة على تجميع فرن الموقد بشكل صحيح أو تشغيله بصورة آمنة.
33. لا تضع أو تحرق أي شيء أو تضع وقودًا في نار فرن الموقد.
34. توخّ الحذر الشديد عند ارتداء الملابس القابلة للاشتعال أثناء إشعال فرن الموقد والجلوس بالقرب منه.
35. لا تميل فوق الموقد عند إشعال فرن الموقد.
36. لا تجلس على فرن الموقد أو تقف عليه، خاصة أثناء استخدامه.
37. لا تفصل أسطوانة الغاز أو التوصيلات أثناء استخدام فرن الموقد.
38. لا تضع فرن الموقد أسفل أشياء معلقة أعلى منه.
39. قبل استخدام الجهاز، تأكد من وجود بطانية الحريق ومطفأة البودرة الجافة. وفي حالة نشوب حريق، ضع بطانية الحريق فورًا على الموقد وتأكد من عدم وصول الأكسجين إلى اللهب. أفضل طريقة لإطفاء الحريق هي استخدام مطفأة البودرة الجافة. ولا تستخدم طفايات الماء أو الرغوة **مطلقًا** لإخماد حرائق الوقود.
40. يجب تخزين أسطوانات الغاز وفقًا للوائح المعمول بها في الهواء الطلق أو في أماكن جيدة التهوية. احتفظ بأسطوانات الغاز بعيدًا عن متناول الأطفال.
41. يُفضل تخزين فرن الموقد في مرآب أو في مكان جيد التهوية. ولا تقم بتخزين فرن الموقد إلا بعد فصله عن أسطوانة الغاز المتصلة به.
42. لم يتم اعتماد فرن الموقد لاستخدامه كأداة للطهي، ومن ثمّ، فلا ينبغي استخدامه على هذا النحو.
43. للحصول على مساعدة أو معلومات إضافية، اتصل بفني معتمد، أو اتصل بمكتب المساعدة في Cosi أو البائع.





### 3. محتويات العبوة

يأتي موقد Cosipillar Curved مع الأجزاء التالية:

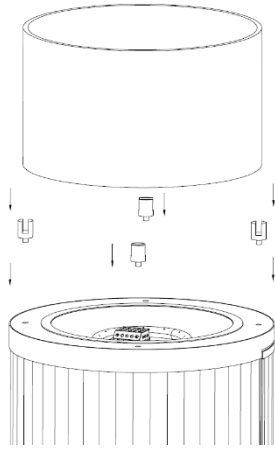
محتويات العبوة:

- .A Curved Cosipillar
- .B زجاج
- .C 4 عجلات
- .D 4 قطعة موصل
- .E 1 صندوق أحجار الحمم
- .F بطارية AAA

الشيء الوحيد الذي ستحتاج إلى شرائه هو أسطوانة غاز. ويمكن الحصول عليها من مورد الغاز المحلي لديك. يمكن الحصول على مزيد من المعلومات حول الحد الأقصى لأبعاد أسطوانة الغاز أسفل النقطة 6. "المواصفات الفنية".

### 4. تعليمات التجميع

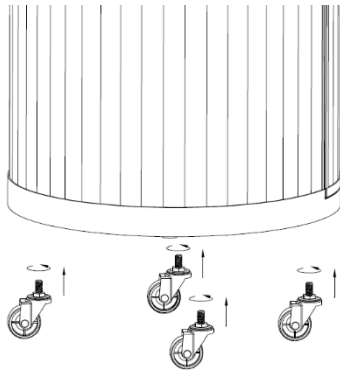
#### 4.1. وضع فرن الموقد



اتبع الخطوات الواردة أدناه لتجميع فرن الموقد بطريقة صحيحة. **ملاحظة:** تأكد من عدم توصيل الموقد بأسطوانة غاز أثناء تنفيذ الخطوات التالية!

1. أخرج جميع الأجزاء بحرص من العبوة وتأكد من وجود جميع المكونات وفقاً للنظرة العامة الواردة أعلاه.
2. حدد المكان الذي تريد وضع فرن الموقد فيه. وتأكد من وضعه على سطح ممهد (ويفضل أن يكون حجرياً). ويجب أن يكون السطح مسطحاً ونظيفاً تماماً. علاوة على ذلك، يجب وضع فرن الموقد على بُعد مترين على الأقل من المواد والسوائل القابلة للاشتعال.
3. يأتي فرن الموقد مزوداً بأرجل قابلة للتعديل من الأسفل. في حالة وضع فرن الموقد على سطح غير مستو تماماً، فيمكن استخدام الأرجل القابلة للتعديل ليصبح فرن الموقد في وضع مستو.
4. ضع قطع الموصل الأربعة (D) في الفتحات الأربعة الموجودة أعلى العمود. بعد ذلك، ضع الزجاج (B) في تجاويف قطع الموصلات الأربعة.

هل ترغب في جعل تحريك Cosipillar أكثر سهولة؟ يمكنك استبدال الأقدام القابلة للضبط بالعجلات المرفقة بشكل منفصل (C). ويمكنك القيام بذلك على النحو التالي:



- تأكد من عدم توصيل كوسيبيلر بزجاجة غاز؛ وأن زجاجة الغاز ليست داخل النموذج؛ وأن الزجاج وأحجار الحمم البركانية قد أزيلت.
- اطلب من شخص آخر إمالة Cosipillar بعناية قليلاً، بحيث يمكنك الوصول بسهولة إلى الأقدام القابلة للضبط في جانب واحد. **يرجى ملاحظة ما يلي:** الجزء العلوي من مدفأة Cosipillar سائب وغير ثابت، وبالتالي لا تميل المدفأة من الأعلى. من الأفضل الإمساك بجسم Cosipillar.
- أثناء إمالة مدفأة Cosipillar، قم بفك الأقدام من أسفل النموذج واستبدالها بالعجلات. ثم قم بإمالة Cosipillar نحو الجانب الآخر، من أجل فك العجلتين الأخرتين وربط العجلتين المُتبقيتين في النموذج. نُوصي بوضع العجلات التي تحتوي على فرامل بشكل قطري من بعضها البعض، وليس بجانب بعضها البعض مباشرة.

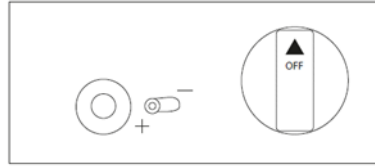
#### 4.2. التحضير للاستخدام

##### 4.2.1. إدخال البطارية أو استبدالها

تحتوي فرن الموقد على وحدة إشعال بيزو ويتم تشغيلها بواسطة بطارية AAA واحدة. يمكنك إدخال البطارية أو استبدالها على النحو التالي:

- تأكد من أن فرن الموقد وأحجار الحمم قد بردت تماماً.
- تأكد من أن فرن الموقد غير متصلة أو لم تعد متصلة بأسطوانة غاز.
- يوجد بجانب مفتاح التحكم زر أسود أصغر فوق لوحة التحكم. وهو خاص بوحدة الإشعال ويحتوي على بطارية.

- يمكنك الآن فك مفتاح الإشعال الأسود بتدويره عكس اتجاه عقارب الساعة وإدخال البطارية في وحدة الإشعال، مع مراعاة جانبي السالب والموجب +/- . بعد ذلك، أغلق وحدة الإشعال مرة أخرى.



- قد تنفذ البطارية بعد الاستخدام المتكرر. فهل استبدلت البطارية؟ إذا كنت قد استبدلتها، فأعد البطارية الفارغة إلى نقطة التجميع.



- 4.2.2. وضع أحجار الحمم.
- بمجرد وضع فرن الموقد بطريقة صحيحة، يمكن وضع أحجار الحمم في الموقد. يتم تضمين أحجار الحمم مع كل فرن موقد يتم تسليمها. احمل أحجار الحمم بيدك مع إزالة الحصى، حتى لا تنسد فتحات الموقد. ضع أحجار الحمم بحرص داخل الموقد وفوقه. حافظ على خلو وحدة الإشعال من أحجار الحمم.
- إذا كنت ترغب في إعادة طلب شراء الزجاج أو أحجار الحمم، فهذا ممكن في عنوان الشراء الخاص بك.

#### 4.2.3. إدخال أسطوانة الغاز أو استبدالها

هل اشترت أسطوانة غاز بالأبعاد الصحيحة (انظر النقطة 6. "المواصفات الفنية")؟ إذا كنت كذلك، فيمكنك توصيل منظم ضغط الغاز الموجود في الموقد بأسطوانة الغاز. ويتم توصيله على النحو التالي: قم بتركيب منظم ضغط الغاز على أسطوانة الغاز. أحكم ربط صامولة منظم ضغط الغاز يدويًا، وليس باستخدام أي أدوات أخرى.

بعد ذلك، يمكنك وضع أسطوانة الغاز داخل وحدة أسطوانة الغاز الخاصة بفرن الموقد. إلا أنك لست مضطرًا لذلك. يمكنك أيضًا اختيار وضع أسطوانة الغاز خارج الجهاز.

#### - إدخال أسطوانة الغاز في الجهاز

1. جانب واحد من Cosipillar يتميز بوجود وحدة أسطوانة غاز. ضع أسطوانة الغاز دائمًا في وضع مستقيم على الإطار الفولاذي. **يجب عدم وضع** أسطوانة الغاز مطلقًا في وضعية الاستلقاء أو الإمالة في الجهاز. يمكنك استخدام الحزام الأسود لربط الأسطوانة بالحائط الجانبي. حيث سيقلل ذلك من احتمالية انقلاب أسطوانة الغاز.
2. تأكد من توصيل أسطوانة الغاز بمنظم ضغط الغاز المرفق، وافتح صمام أسطوانة الغاز عند الرغبة في استخدام فرن الموقد.
3. تأكد دائمًا من ثني خرطوم الغاز لأسفل باتجاه أسطوانة الغاز. وتأكد من عدم انضغاط خرطوم الغاز على الأسطح الساخنة للجهاز.
4. ألا تستخدم فرن الموقد؟ إذا كنت كذلك، فاحرص دائمًا على إيقاف تشغيل مصدر إمداد الغاز الموجود بالموقد وإغلاق صمام الغاز الموجود في أسطوانة الغاز.

#### - وضع أسطوانة الغاز خارج الجهاز

- ألا ترغب في وضع أسطوانة الغاز داخل فرن الموقد لأنك تستخدم أسطوانة غاز ذات سعة أكبر من تلك المحددة مثلًا؟ إذا كنت كذلك، فيمكنك أيضًا وضع أسطوانة الغاز خارج فرن الموقد. يمكنك فعل ذلك بالطريقة التالية:
1. يمكنك توجيه خرطوم الغاز خارج مدفأة Cosipillar عن طريق توجيهه أسفل قاعدة المدفأة أو عن طريق توجيهه عبر الباب (وهذا يعني أن الباب لن يُغلق).
  2. يبلغ طول خرطوم الغاز المرفق 1.5 متر. لذا، ضع أسطوانة الغاز على مسافة 1 متر كحد أقصى من فرن الموقد. لا تضع خرطوم الغاز مكشوفًا عبر الشرفة. والأخطر من ذلك احتمالية تعثر الأشخاص أو الحيوانات الأليفة فوق خرطوم الغاز. لذا، احرص دائمًا على وضع أسطوانة الغاز في مكان لا يسير فيه الأشخاص ولا يصل إليه الأطفال والحيوانات الأليفة.
  3. تأكد من توصيل أسطوانة الغاز بمنظم ضغط الغاز المرفق، وافتح صمام أسطوانة الغاز عند الرغبة في استخدام فرن الموقد.
  4. ألا تستخدم فرن الموقد؟ إذا كنت كذلك، فاحرص دائمًا على إيقاف تشغيل مصدر إمداد الغاز الموجود بالموقد وإغلاق صمام الغاز الموجود في أسطوانة الغاز.

هل أسطوانة الغاز فارغة وهل تحتاج لاستبدالها؟ تأكد من إغلاق صمام الغاز في جميع الأوقات وقم بلف منظم ضغط الغاز الخاص بأسطوانة الغاز يدويًا. وتأكد أيضًا من أن فرن الموقد وأحجار الحميم قد بردت تمامًا! قم بإزالة الأسطوانة القديمة، وإذا لزم الأمر، قم بتوصيل أسطوانة الغاز الجديدة مباشرة بمنظم ضغط الغاز، باستخدام الطريقة الواردة أعلاه. يمكنك استبدال الأسطوانة الفارغة أو ملؤها لدى مورد الغاز المحلي. بعد تركيب أي أسطوانة جديدة تحقق دائمًا من جميع توصيلات الغاز للتأكد من عدم وجود تسريبات (انظر النقطة 5.5).

## 5. تعليمات التشغيل

### 5.1. تعليمات الإشعال

- تأكد أن فرن الموقد مستقرًا في موضعه وثابت.
- تأكد من أن فرن الموقد متصلة بأسطوانة غاز مملوءة ووجود بطارية مشحونة بالكامل داخل وحدة الإشعال. اضغط على الزر الأسود الصغير (زر الإشعال) بالكامل حتى تسمع صوت نكة خفيفة، وهذه هي وحدة إشعال البيزو. إذا لم تسمع شيئًا عند الضغط على زر الإشعال، فقد تحتاج إلى استبدال البطارية. استمر في الضغط على زر الإشعال مع فتح مصدر إمداد الغاز بتدوير المقبض الكبير (مصدر إمداد الغاز) إلى HIGH "عالي". الآن، من المفترض أن يشتعل الموقد في غضون 15 ثانية. بمجرد خروج ألسنة اللهب من الموقد بالكامل، استمر في الضغط على مفتاح التحكم لمدة 15 ثانية أخرى. الآن ستظل النيران متوهجة. هل تنطفئ النيران؟ إذا كان الأمر كذلك، فكرر الخطوات مرة أخرى واضغط باستمرار على زر إمداد الغاز لفترة أطول.
- إذا كانت المشكلة لا تزال موجودة، فاتصل بالبائع.

### 5.2. الاستخدام الأول

**ملاحظة!** هل ستستخدم فرن الموقد لأول مرة؟ إذا كنت كذلك، فتأكد من تشغيل الجهاز على أعلى إعداد لمدة 15 دقيقة. بهذه الطريقة، سيتم تسخين أحجار الحميم جيدًا وهذا يضمن اختفاء أي جيوب أو فقاعات هواء من أحجار الحميم. أثناء الاستخدام الأول، وبعد ترطيب أحجار الحميم (بسبب المطر، على سبيل المثال)، ابتعد عن الموقد لمسافة مترين على الأقل وتأكد أيضًا من عدم وجود أي مواد قابلة للاشتعال حول الفرن أو فوقها لمسافة بقطر مترين. مع احتراق فقاعات الهواء الخارجة من أحجار الحميم، قد تتقاذف الأحجار لأعلى في المرة الأولى وبعد ترطيبها، وقد تخرج من الموقد.



تأتي مع مدفأة Cosipillar أربع عجلات. يمكن استخدام هذه العجلات لنقل مدفأة Cosipillar بسهولة إلى مكان آخر، مما يتيح لك الاستمتاع بالمدفأة في أماكن مختلفة في حديقتك أو في الفناء الخاص بك. تُوضح الخطوة 2.1 كيف يمكنك تركيب العجلات.

**يرجى ملاحظة ما يلي:** إذا كنت تريد نقل مدفأة Cosipillar، فتأكد من إيقاف تشغيلها وفصلها، وأنه قد تم تبريدها تمامًا. حرّر الفرامل على العجلات، وادفع أو اسحب جسم Cosipillar لتحريكها. **يرجى الانتباه لما يلي!** لا ترفع أو تدفع الجزء العلوي من الإطار، فهذا الجزء موضوع بشكل فضفاض أعلى الزجاج/الإطار. كن حريصًا ومنتبهًا. يمكن أن تسقط مدفأة Cosipillar إذا تم استخدام الكثير من القوة. هل مدفأة Cosipillar الآن في الموضع المطلوب؟ قم بتفعيل الفرامل على العجلات قبل استخدام مدفأة Cosipillar.

### 5.3. إطفاء فرن الموقد

- هل ترغب في إطفاء فرن الموقد؟ قم بتدوير مفتاح التحكم بالكامل إلى وضع الإيقاف "OFF" حتى تنطفئ ألسنة اللهب.
- بمجرد إطفاء اللهب تمامًا، أغلق صمام الغاز الموجود على أسطوانة الغاز.
- اترك فرن الموقد وأحجار الحميم حتى تبرد تمامًا قبل وضع لوحة الغطاء فوق الموقد.

### 5.4. تحريك الجهاز

تأتي مع مدفأة Cosipillar أربع عجلات. يمكن استخدام هذه العجلات لنقل مدفأة Cosipillar بسهولة إلى مكان آخر، مما يتيح لك الاستمتاع بالمدفأة في أماكن مختلفة في حديقتك أو في الفناء الخاص بك. تُوضح الخطوة 4.1 كيف يمكنك تركيب العجلات.

**يرجى ملاحظة ما يلي:** إذا كنت تريد نقل مدفأة Cosipillar، فتأكد من إيقاف تشغيلها وفصلها، وأنه قد تم تبريدها تمامًا. حرّر الفرامل على العجلات، وادفع أو اسحب جسم Cosipillar لتحريكها. **يرجى الانتباه لما يلي!** إذا كنت ترغب في تحريك Cosipillar، لا ترفع بواسطة الزجاج أو تضغط على الزجاج؛ فهو موجود بشكل غير محكم أعلى الجهاز. كن حريصًا ومنتبهًا. يمكن أن تسقط مدفأة Cosipillar إذا تم استخدام الكثير من القوة. هل مدفأة Cosipillar الآن في الموضع المطلوب؟ قم بتفعيل الفرامل على العجلات قبل استخدام مدفأة Cosipillar.

### 5.5. استبدال خرطوم الغاز ومنظم ضغط الغاز

يتراوح العمر الافتراضي لخرطوم غاز البروين من 5 إلى 10 سنوات. ويُصحح باستبدال خرطوم الغاز ومنظم ضغط الغاز مرة كل 5 سنوات. افحص الجهاز جيدًا للتأكد من عدم وجود تسريب غاز بعد استبدال منظم ضغط الغاز وخرطوم الغاز وقبل كل استخدام. ويتم القيام بذلك على النحو التالي:

- افتح أسطوانة الغاز، ولكن لا تقم بتشغيل الجهاز (يظل مقبض التحكم في وضع الإيقاف "OFF")!

- اصنع خليطًا من 50% منظف و50% ماء وضعه على جميع الوصلات وعلى خرطوم الغاز. إذا كان هناك تسرب غاز في الوصلات أو الخرطوم، فسوف تتكون فقاعات هواء.
  - إذا ظهرت فقاعات هواء، فهذا يعني وجود تسرب للغاز، حينئذٍ، أغلق صمام أسطوانة الغاز على الفور. واستبدل الخرطوم أو منظم ضغط الغاز بأخر جديد وقم بإجراء الفحص مرة أخرى. ويجب عدم تشغيل الجهاز إلا عند عدم اكتشاف المزيد من الفقاعات.
  - في حالة استمرار المشكلة، اتصل بأخصائي تقني للغاز.
- هل ترغب في استبدال خرطوم الغاز و/أو منظم ضغط الغاز؟ إذا كنت كذلك، فقم بتثبيتته بنفس طريقة تركيبه. يجب أن يبلغ طول خرطوم الغاز 2.5 متر كحد أقصى. في النقطة 6. "المواصفات الفنية"، ستجد المواصفات الفنية الخاصة بمنظم ضغط الغاز. وإذا ساورتك أي شكوك، فاستشر دائمًا أخصائيًا تقنيًا للغاز.

### 5.6. ما الذي يتوجب عليك فعله إذا حدث خطأ ما؟

مما لا شك فيه أننا نفعّل كل ما في وسعنا لتقديم منتجات آمنة. لذلك، اتبع التعليمات والإرشادات الواردة في دليل المستخدم هذا في جميع الأوقات:

تعليمات إطفاء فرن موقد *Così*

عند وقوع أي خطأ، يجب إيقاف إمداد الغاز في أسرع وقت ممكن. يتم تدوير مقبض التحكم على الفور إلى وضع الإيقاف 'OFF' لإيقاف إمداد الغاز وإغلاق أسطوانة الغاز. من المفترض أن تنطفئ النيران على الفور في معظم الحالات.



في حالة وجود تسرب في خرطوم الغاز يتسبب في توهج اللهب، فمن الممكن إخماد اللهب باستخدام بطانية الحريق أو مطفأة البودرة الجافة. باستخدام بطانية إطفاء الحريق، يمكن إخماد الحريق في مرحلة مبكرة. مطفأة البودرة الجافة مناسبة أيضًا لإطفاء حرائق غاز البروبين / البيوتان. لا تحاول أبدًا إخماد النار باستخدام أي نوع آخر من طفايات الحريق.

## 6. المواصفات الفنية

Cosipillar Curved	
النوع / الفئة:	جهاز تدفئة محمول للاستخدام في الهواء الطلق والأماكن المفتوحة
نوع الغاز وضغط الغاز المقابل:	غاز البيوتان / البروبين 28-30 I3B/P(30) مللي بار ( NL, UAE, LU, ( NO, SE, DK, FI, CZ, GR, LU, TR, UA, PL ) - (28-30/37)+3بروبين 37 مللي بار - بيوتان 28-30 مللي بار (BE, LU, FR, GB, ES, CZ, PT, GR, LT, CH, IT, ES, IS) البروبين / البيوتان: 50 - I3B/P(50) مللي بار (DE, AT, CH)
السعة الحرارية:	4 كيلو واط / 4 كيلو واط / 5 كيلو واط
استهلاك الغاز:	( 219 جرام / ساعة ) / ( ) 291G30 جرام / ساعة ) / ( 286 : G31 جرام / ساعة ) / ( 364 جرام / ساعة )
صنع في	الصين

## 6.1. ما نوع أسطوانة الغاز التي تستخدمها في فرن الموقد؟

فيما يلي توضيح لحجم أسطوانة الغاز التي يمكنك استخدامها. تم إجراء الكثير من الاختبارات لفرن الموقد على أسطوانات غاز البروبين. لذا، يُنصح دائماً باستخدام أسطوانة غاز البروبين. قد يتسبب استخدام نوع آخر من أسطوانات الغاز/ الوقود في اندلاع حريق، أو في أسوأ الحالات قد يتسبب ذلك في حدوث أضرار جسيمة للأشخاص أو الحيوانات الأليفة أو المواد. هل أنت غير متأكد بشأن استخدام أسطوانة غاز معينة ترغب في استخدامها؟ إذا كنت كذلك، فاتصل دائماً بمكتب المساعدة في Cosi أو أخصائي غاز معتمد.

يبلغ الحد الأقصى لقطر أسطوانة الغاز 320 ملم وأقصى ارتفاع 520 مم شامل منظم ضغط الغاز.

تُعد Cosipillar Curved جزءاً من مجموعة Cosi.

و Cosi هي علامة تجارية مملوكة لشركة Gimeg Nederland B.V.

تم اختبار جميع سخانات غاز Cosi واعتمادها من جانب KIWA / GASTEC Nederland وتحمل علامة الجودة CE و UKCA.

## 6.2. الضمان الخاص بفرن الموقد

تقدم شركة Gimeg Nederland B.V ضماناً لمدة عامين على النظام الفني لفرن الموقد. وفي حالة إساءة استخدام هذا المنتج أو تركيبه بطريقة غير صحيحة، يتم إبطال هذا الضمان. Cosipillar Curved مصنع من الألومنيوم. وعند تحريك فرن الموقد، توخّ دائماً الحذر الشديد لأنها قد تتعرض للتلف. هل لديك أسئلة لم يتم تناولها في هذا الدليل؟ قد تجد المعلومات التي تبحث عنها على موقعنا الإلكتروني. تفضل بزيارة موقعنا عبر الإنترنت من خلال مسح رمز الاستجابة السريعة أو الانتقال مباشرة إلى

[www.cosi-fires.com](http://www.cosi-fires.com)



كما يمكن أيضاً الوصول إلى Gimeg Nederland B.V عبر العنوان التالي:

Atoomweg 99

3542 AA Utrecht

هولندا

+31(0)306629500

[info@cosi-fires.com](mailto:info@cosi-fires.com)